

AA1510 / AA1510CA

Installation Instructions

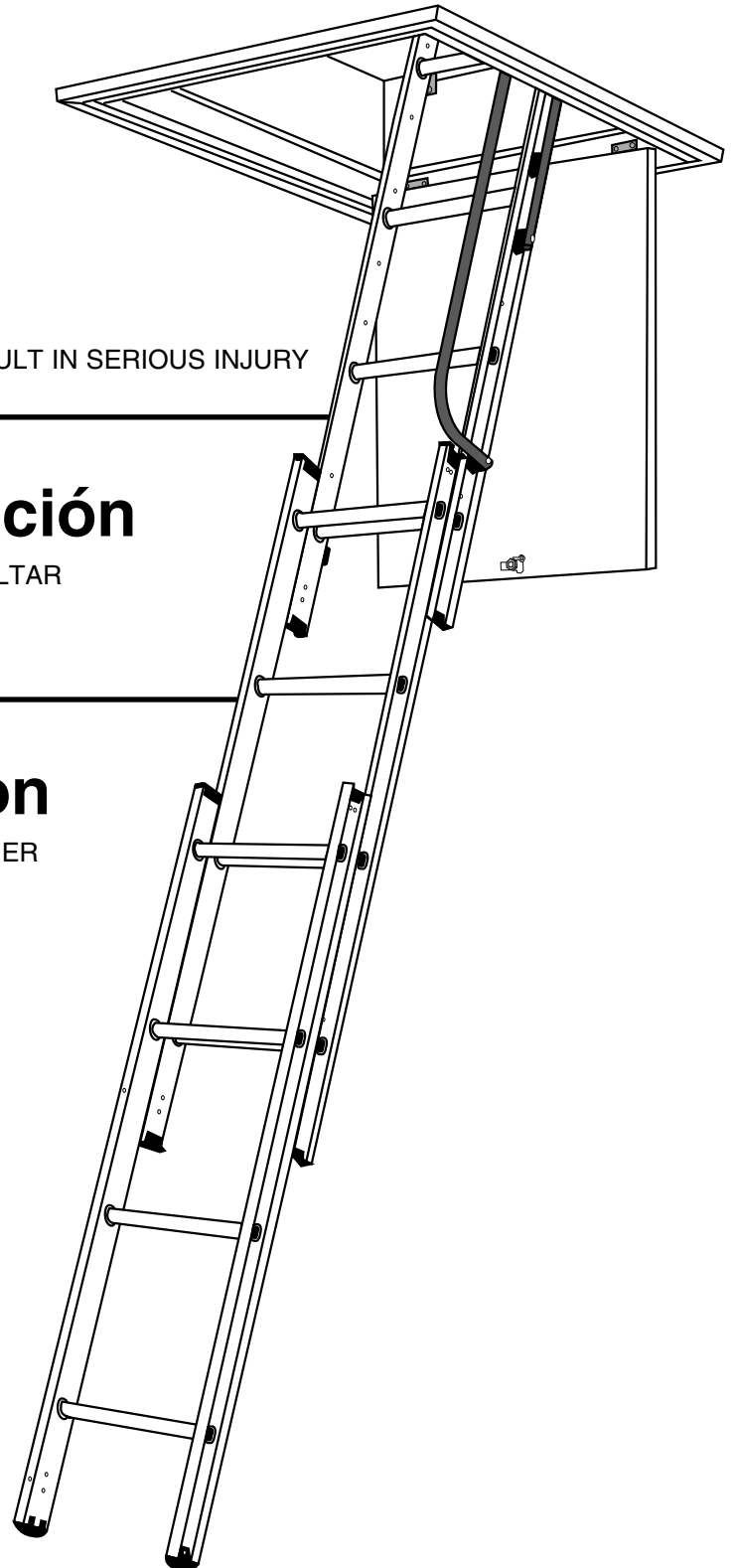
FAILURE TO COMPLY WITH ALL INSTRUCTIONS MAY RESULT IN SERIOUS INJURY

Instrucciones de instalación

NO CUMPLIR TODAS LAS INSTRUCCIONES PODRÍA RESULTAR
EN LESIONES GRAVES

Instructions d'installation

LE NON-RESPECT DE CES INSTRUCTIONS PEUT ENTRAÎNER
UNE BLESSURE GRAVE



ALUMINUM Compact Attic Ladder

BUILT FOR SMALL ATTIC OPENINGS

Table of Contents

		Page
	Before you begin	2
	Important questions	3
Step 1	Assembling the ladder	3
Step 2	Fitting additional top stops	4
Step 3	Fitting bottom stops	5
Step 4	Installing the ladder	5
Step 5	Installing the assist arm	6
Step 6	Handrail assembly	7
Step 7	Finishing opening for door	7
Step 8	Hanging the door	8
Step 9	Locating the hole for the door latch	8-9
Step 10	Attaching the location bracket	9
Step 11	Operating the ladder	10
Appendix	Creating a rough opening	11
Section 1.1	Important questions	11
Section 1.2	Tools and materials needed	12
Section 1.3	Finding a suitable location	13
Section 1.4	Cutting a hole in the ceiling	14-16
Section 1.5	Framing the rough opening	16-19

Before you begin

TOOLS REQUIRED

STEPLADDER
 AWL
 SAW
 DRILL PLUS 1/2" & 1/16" BIT
 LARGE FLAT SCREWDRIVER
 PHILLIPS SCREWDRIVER
 (small and medium)
 ADJUSTABLE WRENCH/PLIERS
 TAPE MEASURE/RULER
 HAMMER
 PENCIL

DOOR MATERIAL REQUIRED

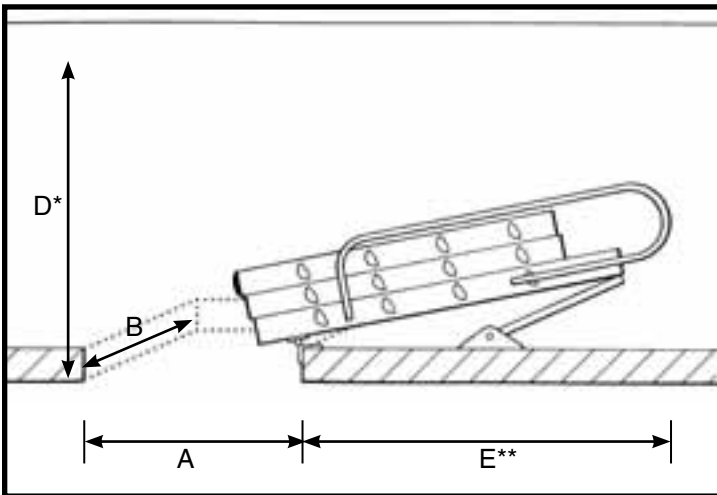
BE SURE TO USE 3/4" CABINET GRADE PLYWOOD.
 1 x 3 SOLID WOOD BOARD REQUIRED FOR DOOR FRAME
 1 X 2 SOLID WOOD BOARD REQUIRED FOR DOOR JAM

**AT THE BEGINNING OF EACH STEP THROUGHOUT
 THIS INSTRUCTION MANUAL, FASTENERS AND
 COMPONENTS THAT ARE NEEDED WILL BE LISTED.**

**IF ANY PARTS ARE MISSING OR BROKEN,
 PLEASE CALL CUSTOMER SERVICE AT 1-888-523-3370.**

Compact Attic Ladder		
A	Minimum Finished Opening (Length)	21"
B	Minimum Finished Opening (Width)	15"
C	Maximum Height	9' 10"
	Minimum Height	7'
D*	Minimum Stowing Height Required In Attic	28"
E**	Minimum Length Required Behind Rough Opening	44"

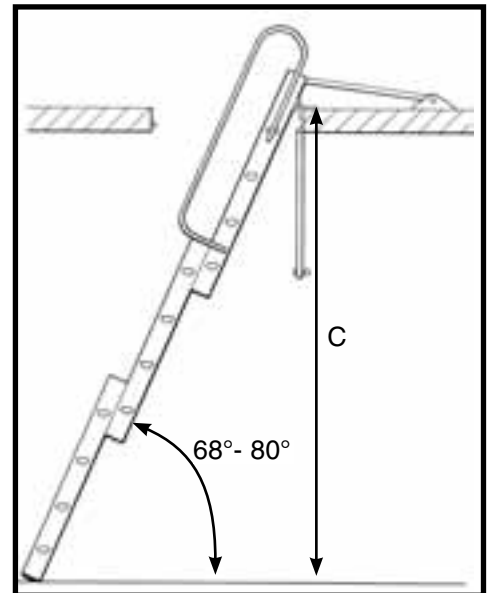
Closed Requirements



*At handrail low position - 28"
 At handrail top position - 38"

**At handrail low position - 44"
 At handrail top position - 54"

Opened Requirements



Important Questions

Read instructions completely before beginning. This is necessary to ensure that you have a suitable location for the attic ladder and the ability to safely and properly install it.

Are you capable of installing this attic ladder?

To install this attic ladder you should have sawing, squaring, and aligning skills similar to those required to install a window or a door frame. If you do not have these skills you should hire a professional carpenter to install this unit (see the Yellow Pages under "Building Contractors, Carpenters, Home Builders, Home Improvements, or Contractors-General").

Does this attic ladder meet your needs?

This attic ladder is for residential use only. Installing this attic ladder in commercial buildings and apartments may violate building codes that require fire-rated ceilings and prohibit storing materials in the overhead space! Check with your local fire marshal or building department before installing the attic ladder.

The capacity of the attic ladder (person plus materials being carried) is 250 pounds.

This attic ladder is made for the range of ceiling heights shown on the packaging. Do not install the attic ladder in a ceiling that has a height outside of this range. Altering the attic ladder to accommodate other heights is unsafe and should never be attempted.

THIS ATTIC LADDER COMES WITH HINGES AND LATCH TO INSTALL A DOOR (NOT INCLUDED). TO MODIFY OR CREATE A NEW OPENING, PLEASE REFER TO THE APPENDIX (PAGE 11).

Step 1

Assembling the Ladder

TOOLS REQUIRED

HAMMER

PARTS REQUIRED

B1. (1) HINGE GUIDE - LEFT

B2. (1) HINGE GUIDE - RIGHT



For correct identification, the front section of the ladder can be identified by its rounded feet.

1. Carefully push out the tacks (lightly tap with a hammer if necessary) and remove the plastic end caps from the bottom of the REAR section of the ladder (See Figure A).
2. Slide the hinge guides (B1 & B2) onto the uppermost frame section. The brackets should be positioned outwards with the double holed half uppermost (See Figure B).
3. Slide all the way up to the installed permanent top stops at other end of section.
4. Do not replace the plastic end caps (see later at Step 3 - Fitting Bottom Stops).

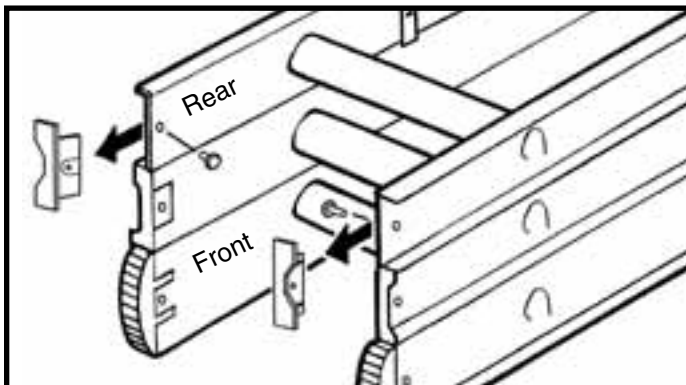


Figure A

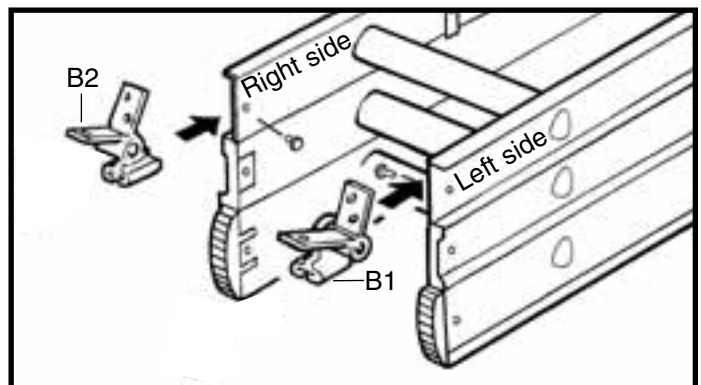
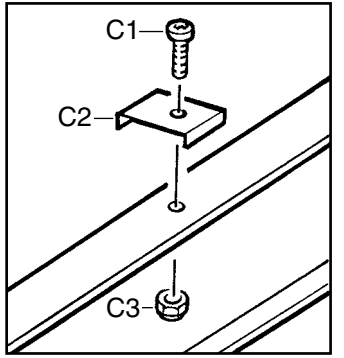


Figure B

Step 2

Fitting Additional Top Stops

<p>TOOLS REQUIRED</p> <p>ADJUSTABLE WRENCH/PLIERS</p>	<p>PARTS REQUIRED</p> <p>C1. (2) M4 X 8MM TOP STOP BOLTS C2. (2) ADDITIONAL TOP STOPS C3. (2) M4 LOCKING NUTS</p>	
--	--	---

Opened Requirements

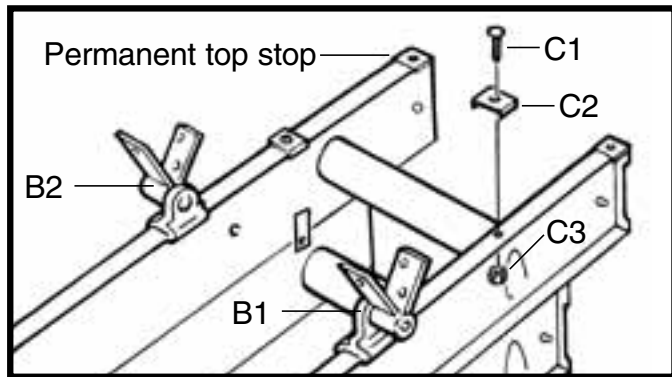
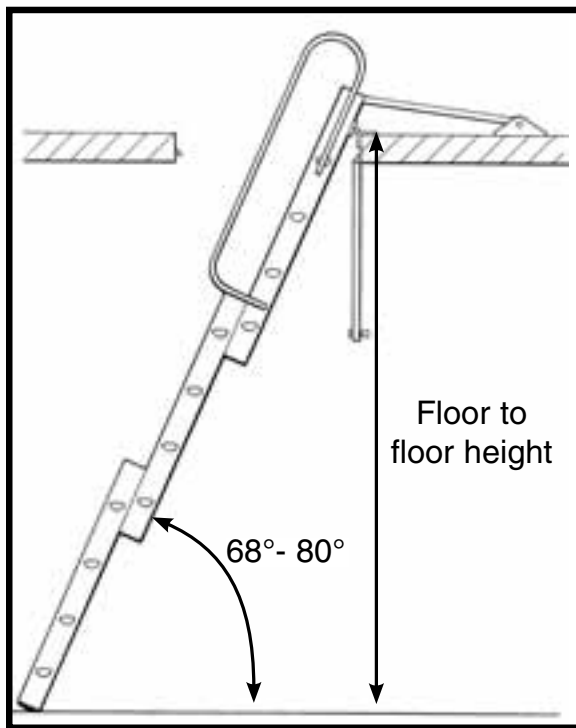


Figure C

Depending on the floor to floor height (see Opened Requirements left), you may need to add the additional top stops provided (C2) (see table below).

1. If required, locate the additional top stops over the holes approximately 6" below the permanent top stops on the rear section of the ladder (See Figure C).
2. Ensure the hinge guides (B1 & B2) are already in place and below the additional top stops when assembled.
3. Fix the additional top stops using two M4 bolts and nuts supplied (C1 & C3).

Operating Heights	
Feet & Inches	Top Stops Required
7' 0" to 7' 6"	YES
7' 6" to 7' 11"	NO
7' 11" to 8' 5"	YES
8' 5" to 8' 10-1/2"	NO
8' 10-1/2" to 9' 4"	YES
9' 4" to 9' 10"	NO

Step 3

Fitting Bottom Stops

TOOLS REQUIRED

LARGE FLAT SCREWDRIVER
PHILLIPS SCREWDRIVER
(small and medium)
HAMMER

PARTS REQUIRED

D1. (2) BOTTOM STOPS
D2. (4) 12MM SCREWS



1. Both end caps should now have been removed from the rear section during previous Step 1. Remove end cap from the rear section rail (on the same side as it is intended to fit the assist arm).
2. Slide the bottom stops (D1) onto the rear rails.
3. Position the bottom stops 6" from the end of the rails (See Figure D).
4. Secure with screws (D2).
5. Replace the plastic end caps removed previously and secure with tacks.

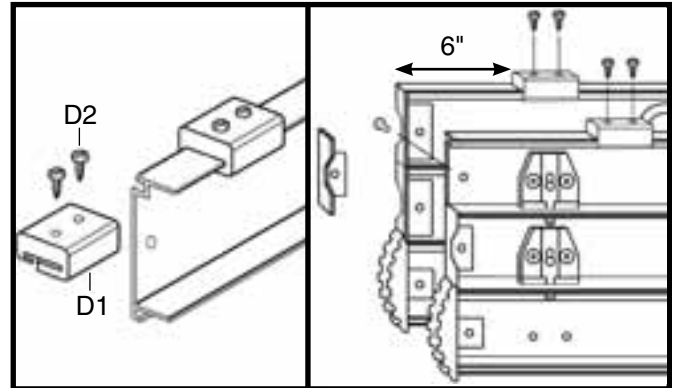


Figure D

Step 4

Installing the Ladder

TOOLS REQUIRED

STEPLADDER
DRILL PLUS 1/16" BIT
LARGE FLAT SCREWDRIVER
PHILLIPS SCREWDRIVER (small and medium)
PENCIL

PARTS REQUIRED

B1. (1) HINGE GUIDE - LEFT
B2. (1) HINGE GUIDE - RIGHT
B3. (6) 35mm SCREWS

Minimum 3/4" flooring required to support Compact Attic Ladder (See Appendix, Page 19, Figure 18). The ladder should be installed on the same side of the opening as where the door hinges will be located.

1. With the ladder centered in the opening, locate the hinge guide bracket arms (B1 & B2) on the top edge of the opening frame (See Figure E).
2. Mark guide holes with a pencil and then predrill pilot holes (1/16" diameter) for all screws.
3. Attach using 35mm screws (B3).

The bracket arms with two screw holes should be on top.

If flooring material covers the top edge of the opening be certain that the ladder is completely stable. If necessary use longer screws to penetrate the frame itself.

The ladder should now be free to swing from the hinges and slide freely up and down the guides.

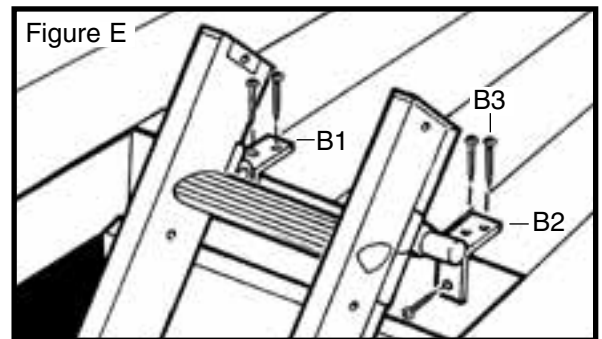


Figure E

! WARNING:

DO NOT stand on the ladder to do this. Either using a second ladder, or from inside the attic space, secure the hinges using six 35mm screws supplied.

Step 5

Installing the Assist Arm

TOOLS REQUIRED	PARTS REQUIRED	
AWL LARGE FLAT SCREWDRIVER PHILLIPS SCREWDRIVER (small and medium) ADJUSTABLE WRENCH/PLIERS	F1. (1) POWER PIVOT UNIT F2. (1) HOUSING COVER F3. (6) 20mm SCREWS F4. (1) PIVOT TIP F5. (1) M6 x 40mm BOLT	F6. (2) PLASTIC WASHERS F7. (1) M6 LOCKING NUT F8. (1) NUT CAP F9. (1) BASE DRILL HOLE TEMPLATE [ON BACK OF PACKAGING CARD]

1. Position the template cut (from the back of the packaging card) against either the left or right hand hinge guide bracket (depending on which chosen side the power pivot system is to be installed).
2. Using an awl or pencil mark the 6 applicable holes through the template on to the attic floor (See Figure F).
3. Place the spring housing (F1) in position over the holes ensuring the arm points AWAY from the rough opening (with slot in cover on the left-hand side) (See Figure G).
4. Secure the spring housing to the attic floor with 20mm screws (F3) through the 4 inner holes (See Figure G).
5. Place the housing cover (F2) over the spring housing and attach using 20mm screws (F3) through the 2 remaining outer holes (See Figure G)
6. Position the ladder in its fully stowed (closed) position carefully in the opening.
7. Remove the tack and plastic top cap from the top of the required side rail of the rear ladder section and discard (See Figure H).
8. In their place attach Pivot Tip (F4) (See Figure H).
9. Locate the power arm linkage plates on either side of pivot tip (F4)/ladder rail and align all holes.
10. Secure the rail to the linkage plates using bolt (F5), washers (F6), nut and nut cap (F7 & F8) (See Figure I).

Ensure bolt (F5) and nut (F7) are tightened sufficiently to allow the linkage to freely rotate without any looseness.

DO NOT over-tighten the nut as this will restrict smooth operation of the ladder system.

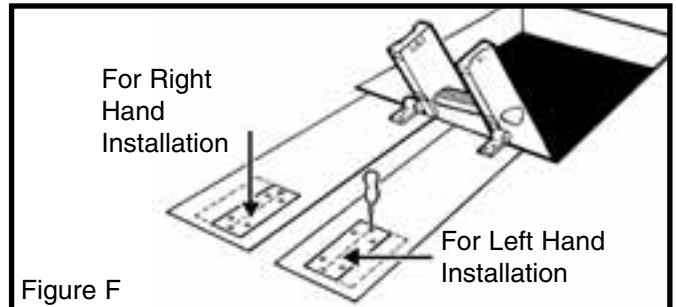


Figure F

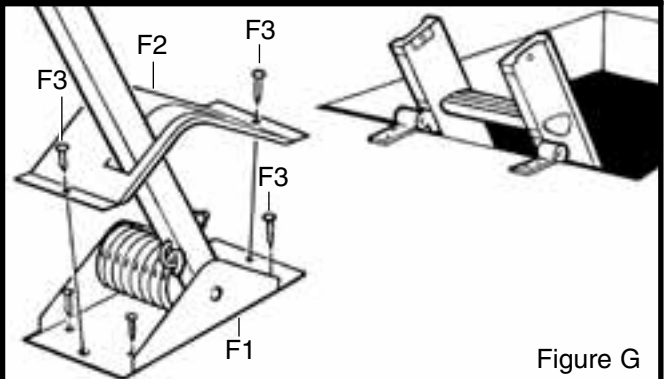


Figure G

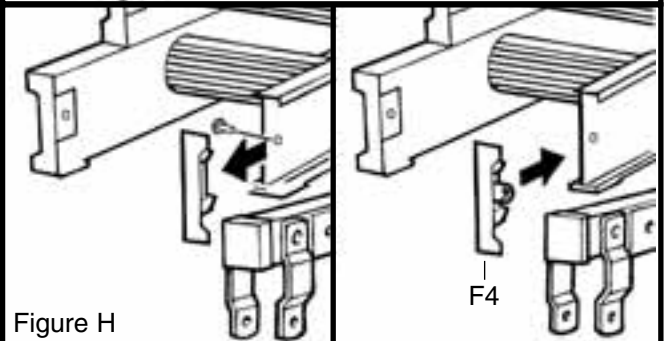


Figure H

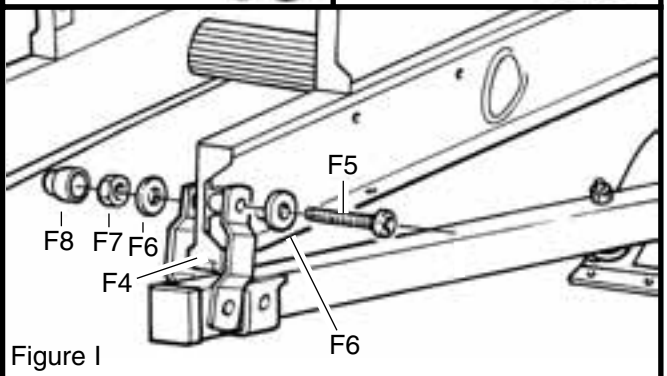


Figure I

Step 6

Handrail Assembly

TOOLS REQUIRED	PARTS REQUIRED
ADJUSTABLE WRENCH/PLIERS	E1. (3) HANDRAIL SPACERS E2. (3) M5 x 60mm BOLTS E3. (3) 25mm DIAMETER WASHERS E4. (3) M5 LOCKING NUT

The handrail can be attached to either side of the ladder. It is advisable to attach the handle only after attaching the power pivot arm.

1. Attach the handrail to your chosen side of the rear frame (See Figure J).
2. Use 3 spacers (E1), 60mm bolts (E2), washers and nuts (E3 & E4) supplied.
3. You have a choice of 2 different handrail heights which will be dependent on the amount of "in-attic" handrail you require (See Figure J).

Check that all components of the whole assembly are fully secure.

*Position 1 attaches handrail in top position.

**Position 2 attaches handrail in low position.

Note: Position of the handrail will affect the amount of space needed in the attic.

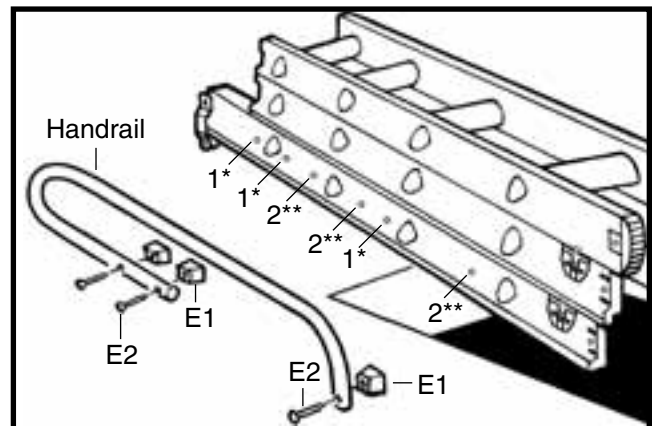
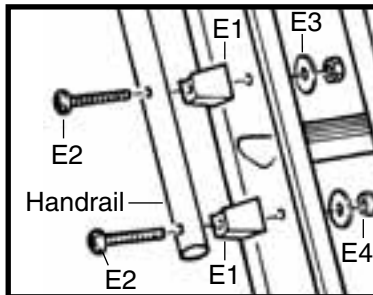


Figure J

Step 7

Finishing Opening for Door

TOOLS REQUIRED	PARTS REQUIRED
SAW SCREWS / NAILS PHILLIPS SCREWDRIVER (small and medium)	Standard 1 x 3 solid wood board (Door Frame) Standard 1 x 2 solid wood board (Door Jam) Your choice of finishing wood

Use a standard 1 x 3 solid wood plank for the door frame and a standard 1 x 2 solid wood board for the door jam.

1. Measure the width of the opening and cut the 1 x 3 wood board. Nail the trimmed 1 x 3 wood board to the header. The bottom of the wood door frame should be flush with drywall on ceiling. Repeat for length of opening. (Figure K)
2. Measure inside width of frame and cut the 1 x 2 wood board. Nail the trimmed 1 x 2 wood board to the wood door frame recessed the thickness of the door to create the door jam. Repeat for length of frame. (Figure L)

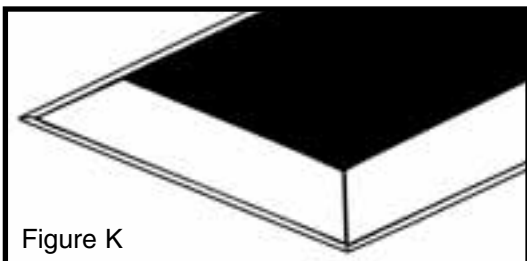


Figure K

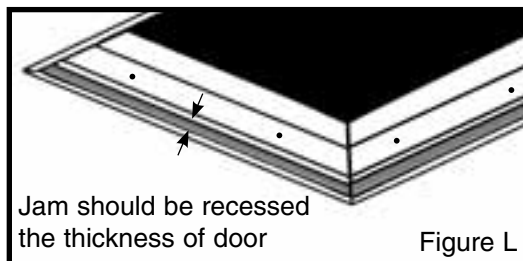


Figure L

Caution: Use of materials greater than the recommended thickness may make the opening too small to be usable.

Step 8

Hanging the Door

TOOLS REQUIRED

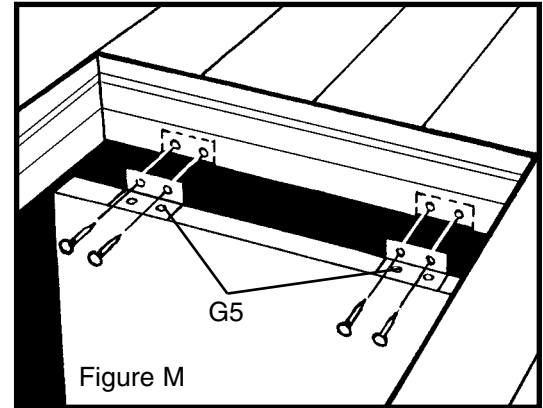
LARGE FLAT SCREWDRIVER
PHILLIPS SCREWDRIVER (small and medium)

PARTS REQUIRED

G5. (2) DOOR HINGES
(8) 3/4" WOOD SCREWS

The door thickness should be 3/4" cabinet grade plywood cut 1/8" smaller than wood door frame opening (from Step 7 - Finishing Opening for Door)

1. Screw hinges (G5) to one edge of the door using 3/4" wood screws.
2. Attach the hinges to the face of the frame on the same end as you installed the ladder using 3/4" wood screws (See Figure M).



Step 9

Locating the Hole for the Door Latch

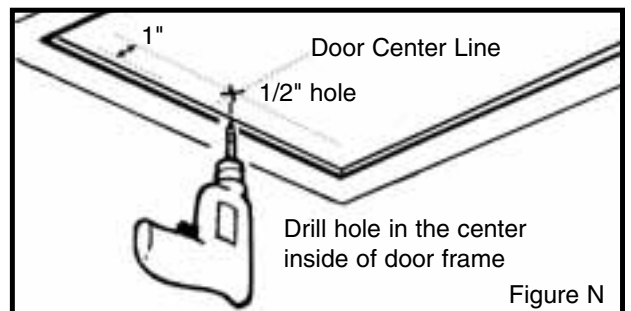
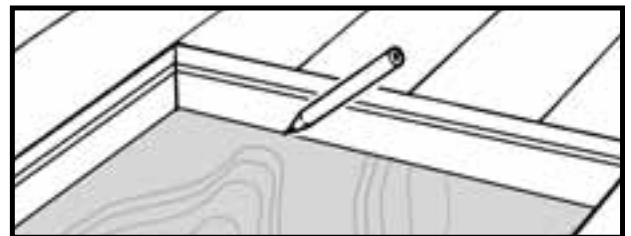
TOOLS REQUIRED

STEPLADDER
DRILL
1/2" DRILL BIT
SANDPAPER
LARGE FLAT SCREWDRIVER
PHILLIPS SCREWDRIVER (small and medium)
ADJUSTABLE WRENCH/PLIERS
TAPE MEASURE/RULER
PENCIL

PARTS REQUIRED

A1. (1) LATCH
A2. (1) TRAVEL STOP RING
A3. (1) LATCH LEVER
A4. (1) M12 NUT
A7. (1) 12mm SCREW

1. From inside attic, with door fully closed, mark the edge of the jam on the door with a pencil. Measure back and transfer line to opposite side of door.
2. Find the mid-point of the door edge opposite the hinged side. This will give you your center line (See Figure N). Mark with a pencil.
3. Measure exactly 1" in from the mark that was transferred, mark with a pencil.
4. Drill a 1/2" hole in the center and sand off any rough edges.

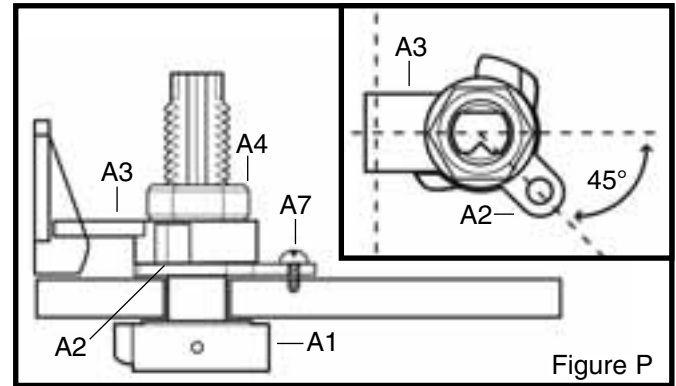
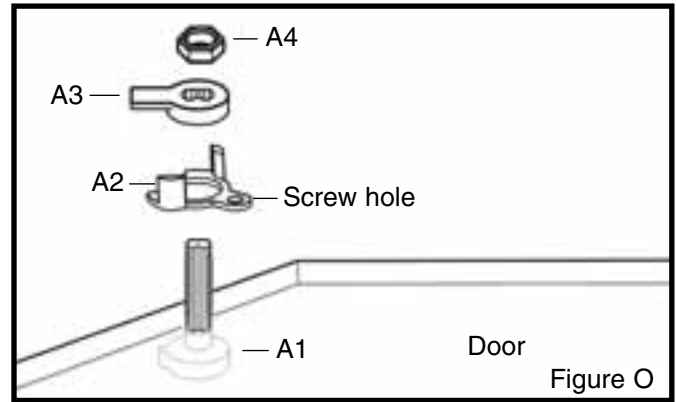


(STEP 9 CONTINUED ON NEXT PAGE)

Figure N

(STEP 9 CONTINUED FROM PREVIOUS PAGE)

5. Pass the latch (A1) through the door hole from the underside such that the position pointer points toward the door edge (See Figure O).
6. Place the travel stop ring (A2) over the latch (A1) such that the screw hole is at 45 degrees to the door center line (See Figures O and P).
7. Place the latch catch (A3) over the latch (A1) and locate into the latch groove such that the latch catch points toward the door near edge and fully locates within the travel stop ring (A2) (See Figures O and P).
8. Secure the travel stop ring (A2) using 12mm screw (A7).
9. Secure the catch assembly with M12 nut (A4) ensuring the nut is tightened sufficiently to allow the catch to rotate freely without any looseness (See Figure P).



Step 10

Attaching the Location Bracket

TOOLS REQUIRED

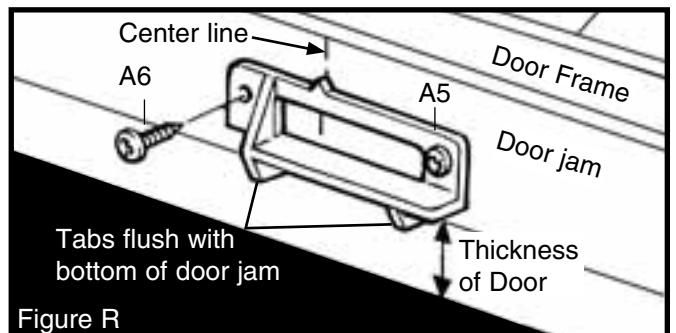
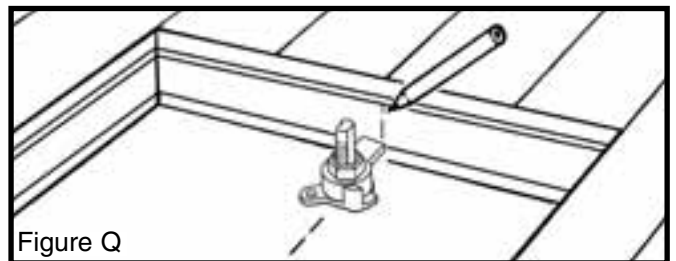
- STEPLADDER
- AWL
- LARGE FLAT SCREWDRIVER
- PHILLIPS SCREWDRIVER (small and medium)
- TAPE MEASURE/RULER
- PENCIL

PARTS REQUIRED

- A5. (1) LOCATION BRACKET
- A6. (2) 3/4" WOOD SCREWS
 - (1) "WARNING" LABEL P/N103552-01
 - (1) "HOW TO USE" LABEL P/N103553-01

When turned to the correct position, the catch lever will engage in the location bracket to hold the door shut. Attach as follows:

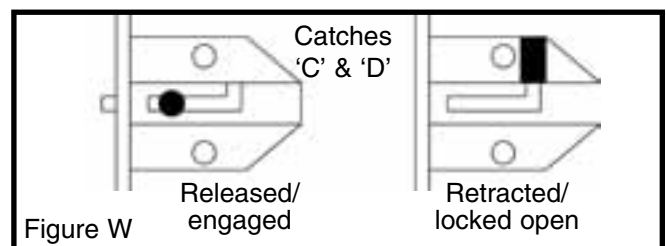
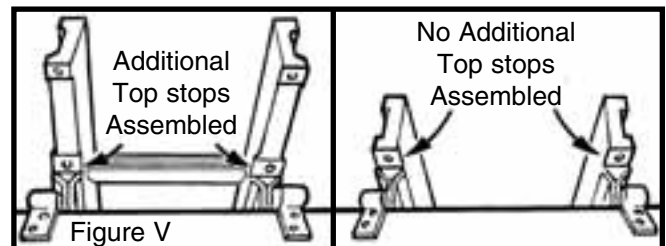
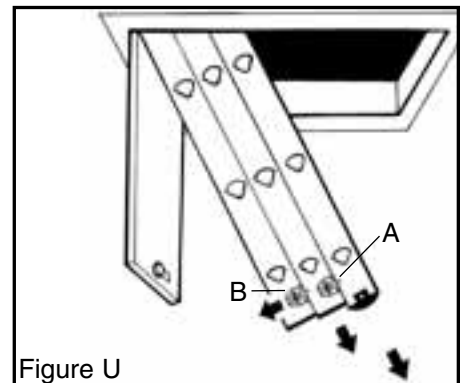
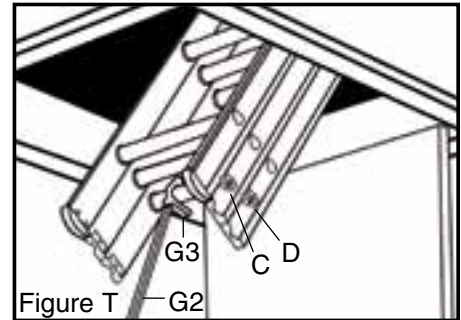
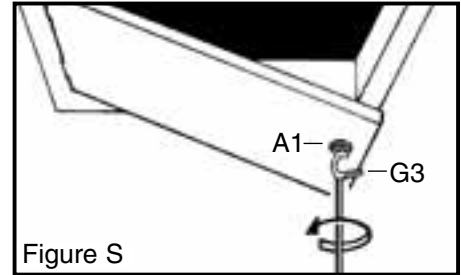
1. Mark a vertical line on the inside of the door jam corresponding with the center line of the door catch (See Figure Q).
2. Position the catch location bracket (A5) along the bottom edge of the wood door jam (See Figure R).
3. Match up the indent mark on the bracket with the vertical center line.
4. Make guide holes with the awl and attach using 2 of the 3/4" wood screws supplied (A6).
5. Apply door labels, P/N103552-01 and P/N103553-01, to the top side of the door, inside the attic.



Step 11

Operating the Ladder

1. Locate the plastic stowing hook (G3) into one end of the assist pole (G2) and push firmly to ensure the plastic stowing hook (G3) is fully located within the pole. Secure hook (G3) with self-tapping screw. Push the plastic end plug into the opposite end of the assist pole (G2).
2. To open the door, locate the hook (G3) into the slot in the latch (A1) and turn the catch counterclockwise until it reaches the travel stop and then lower the door (See Figure S).
3. Put the stowing hook (G3) over and at the center of the **REAR** ladder section bottom rung and steadily pull the ladder outward and downward until both top stops reach and make contact with the hinge guides (See Figure T).
4. Retract both right-hand side catches 'C' & 'D' (blue) and rotate both catch levers upwards into the locked open position (See Figures T and W).
5. To extend the ladder, retract left-hand catch 'A' (black) while supporting the front frame of the ladder. Lower the frame slowly until catch 'A' (black) engages again (Figure U).
6. Then retract catch 'B' (black) and lower the middle frame until catch 'B' (black) is engaged in your required position. Extend the ladder until the feet rest firmly on the floor (Figure U).
7. When the ladder has been fully opened, rotate both right-hand side catch levers downward to unlock and release both catches 'C' and 'D' (blue) and ensure both catches are fully engaged. **DO NOT** use ladder with any catches ('A', 'B', 'C' or 'D') disengaged. Read the safety labels on the product.
8. Ensure the ladder is pulled down so that the top stops (or additional top stops if installed) rest firmly on the hinge guides. This supports the top section and prevents it from sliding down when climbed.
9. Check the ladder angle against the safety label or refer back to opened requirements on page 2.



Stowing the Ladder

10. Retract both right-hand side catches 'C' & 'D' (blue) and rotate both catch levers upwards into the locked open position (Figure W).
11. To stow the ladder, retract catch 'A' (black), slide the front frame fully upwards until catch engages again.
12. Repeat step 11 for catch 'B' (black) and the middle ladder frame
13. Reverse step 10 and ensure both right-hand side catches 'C' and 'D' (blue) are fully engaged.
14. Engage the plastic stowing hook (E3) over and at the center of the **REAR** ladder section bottom rung. While maintaining the assist pole in the vertical position, push the ladder vertically upwards.
15. Continue to slowly push the ladder up and fully into the attic hole.
16. Use the assist pole to raise the door and turn the latch clockwise to close.



WARNING:

DO NOT attempt to climb your attic ladder until you have checked that it is pulled down to the stops. Fully read all safety labels and ensure that it is set at the correct angle. Ensure that the locking catches are fully engaged.

Appendix Creating a Rough Opening

Section 1.1

Important Questions

Is your ceiling and joist structure suitable for this installation?

This attic ladder can be installed in structures with conventional wood roof frames (See Figure 1). If a ceiling is present, you must have an attic hole in the ceiling that allows you to enter the overhead space for a pre-installation inspection.

Roof support structures that have braces connected to the ceiling joists or which use trusses (See Figure 2) cannot be cut without destroying the load-bearing capacity of that section of the roof. Do not cut joists that are part of a braced conventional frame or truss without first consulting an architect or structural engineer (see the Yellow Pages under "Architects or Structural Engineers").

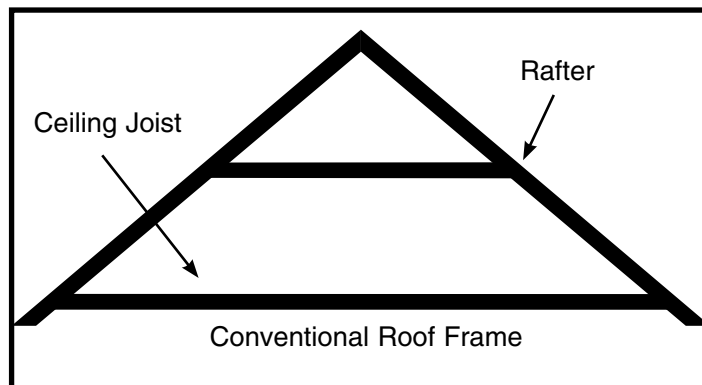


Figure 1

The attic ladder should not be installed in a ceiling that has any of the following:

- Components of heating/cooling systems embedded in the ceiling
- Joists made of materials other than wood
- Metal reinforced plaster
- Suspended ceilings

If your ceiling contains any of the above, do not attempt to install the attic ladder. Contact a professional for assistance with your specific needs (see the Yellow Pages under "Heating and Cooling Contractors, Building Contractors, Carpenters, Home Builders, Home Improvements, or Contractors-General").

Do these instructions meet your needs?

These instructions describe how to install the attic ladder parallel or perpendicular to the ceiling joists. Contact a professional if you want the attic ladder installed in some other direction relative to the joists.

Is your ceiling and joist structure suitable for this installation?

WARNING: DO NOT CUT THESE TYPES OF STRUCTURES WITHOUT CONSULTING AN ARCHITECT OR STRUCTURAL ENGINEER.

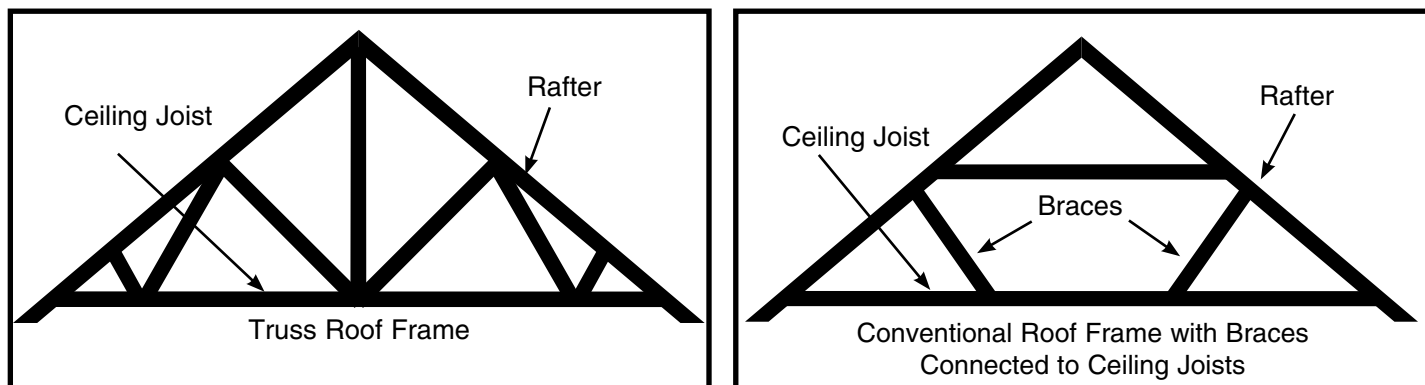


Figure 2

Tools and Materials Needed

Materials:

- Several pieces of joist-sized lumber (the amount depends on the specific installation)
- 16d sinker nails or screws of equivalent strength (24-60 depending on the specific installation)
- 20d sinker nails or screws of equivalent strength are needed for installations where joists are cut

Stepladder:

- You will need a stepladder that is tall enough so that you can get into the overhead space without stepping above the working height of the stepladder. The working height of the stepladder is two steps down from the top.
- Your stepladder must also have a duty rating that is greater than the sum of your weight plus the weight of the attic ladder and any additional materials used for installation.

CAUTION: Be careful when using a stepladder to climb into and out of the overhead space.

Tools For Creating a Rough Opening:

- Flashlight or extension light
- Claw hammer
- Pencil
- Handsaw/power saw
- Tape measure
- Framing square
- Tools to cut a hole in the existing ceiling

Safety Equipment:

- Gloves
- Safety goggles
- Dust mask

Finding a Suitable Location

Before Proceeding: You must have a suitable ceiling and joist structure, tools and materials needed, and a level and flat location in the ceiling.

Goal: To find a location free of hazards and obstructions that will provide room for the installation and use of the attic ladder.

STEP 1. Pick a potential location for installation. Check for the size of rough opening shown on the box or in the pre-installation checklist.

If you are installing the attic ladder in a garage, don't forget to consider where cars will be parked.

STEP 2. If there is no ceiling and the attic ladder will fit between the joists so that no joists need to be cut, go to Section 1.5 "FRAMING THE ROUGH OPENING".

If there is no ceiling, but one or more joists need to be cut, go to Section 1.4 "CUTTING THE CEILING JOISTS".

If there is a ceiling at this location, you will need to inspect the attic area above this location as described in steps 3 and 4.



WARNING:

FOR YOUR SAFETY, WATCH OUT FOR OVERHEAD HAZARDS.

DO NOT stand or sit on the ceiling or insulation covering the ceiling — the ceiling is not made to support your weight. You can fall through the ceiling even though it looks solid! Only the joists can support weight.

Watch out for sharp nails sticking through the roof.

STEP 3. Go into the overhead space and find the area above your chosen location.

This area may be located by:

- A) Listening for tapping from below
- B) Measuring distances from walls or other objects common to the overhead space and the room below

WARNING: Do not drive metal nails or other conductive objects into the ceiling unless you are sure they will not contact electric wires. Contact with an electrical wire can be deadly.

STEP 4. At this location in the overhead space:

- A) Check that there is enough space for you to safely move around during installation.
- B) Check the overhead space for storage space adjacent to the chosen location. If walking or crawling in the overhead space is desired, make sure that there is enough room to do so.
- C) Check above your chosen location for hazards and obstructions such as:
 - Electrical wires
 - Pipes
 - Heating and cooling ducts
 - Furnaces
 - Hot water heaters or other obstructions

Note: To check for hazards, you will need to move insulation away from your chosen location. Wear a dust mask, safety goggles, and gloves and keep your body covered to prevent fine cuts from fiberglass. Gently push aside insulation to avoid stirring up dust that may be harmful to your eyes and lungs.


STEP 5. If any hazards or obstructions are present at your chosen location, look for another location or have the hazards or obstructions moved by professionals (see the Yellow Pages under "Electrical Contractors, Heating and Cooling Contractors, and Plumbing Contractors").

Cutting a Hole in the Ceiling

- Before Proceeding:** You must have a location that:
- A) Is free of hazards and obstructions in the overhead space.
 - B) Is free of hazards in the ceiling.
 - C) Provides enough room for installation.
 - D) Provides enough room to use the attic ladder.

Goal: To cut a hole, that is the correct size, in the ceiling at the desired location.

- STEP 1. Prepare the room by moving furniture, covering flooring with a drop cloth and removing children and pets to a safe distance.
- STEP 2. Put on safety goggles and a dust mask. These will keep pieces of ceiling particles and dust from falling into your eyes, mouth or nose as you make a starter hole and cut into the ceiling.
- STEP 3. With a hammer and chisel, make a starter hole near the center of the chosen location (See Figure 4).
- STEP 4. Enlarge the opening with a saw until you can see a joist (See Figure 5).
- STEP 5. Draw a rectangle the size of the rough opening on the ceiling, with one edge parallel to a joist (See Figure 6). You may do this by sawing until you reach a joist and use it as a frame of reference. (The size of the rough opening must be at least 18" x 24".)
- Note: Locating at least one edge of the opening along a ceiling joist will allow the joist to be used as a side of the frame you will build. This will simplify framing the rough opening.
- STEP 6. Cut out the rest of the ceiling within the marked outline following these instructions:
- A) Do not cut any joists at this time. Cut through the ceiling only.
 - B) Remove the ceiling in small pieces because ceiling material can be very heavy.
- STEP 7. If no joists span the hole in the ceiling, go to Section 1.5 "FRAMING THE ROUGH OPENING".
- If any joists span the hole, go to Section 1.4 "CUTTING THE CEILING JOISTS".

 **WARNING:**

DO NOT stand saw, cut, or hammer into the ceiling until you are sure that the location is free of hazards and obstructions in the ceiling and attic. Contact with an electrical wire can be deadly.

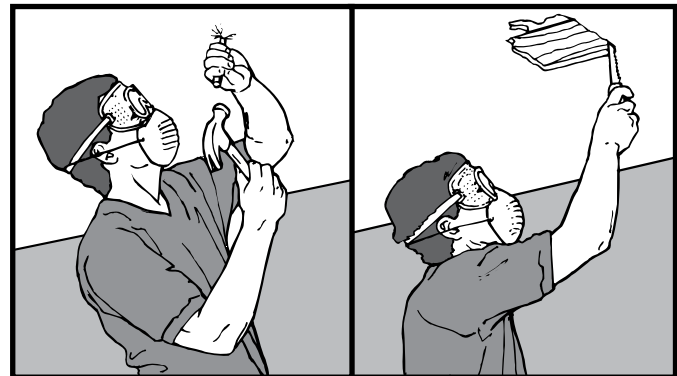


Figure 4

Figure 5

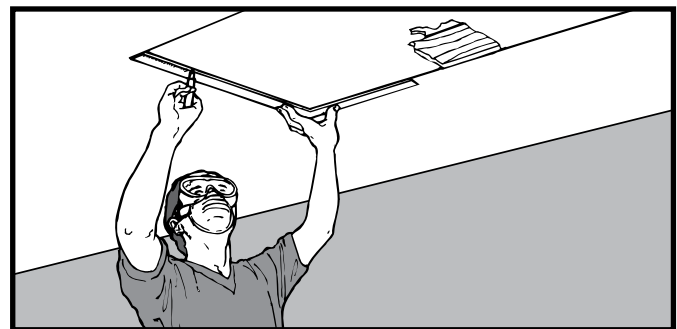


Figure 6

Cutting a Hole in the Ceiling

Before Proceeding: You must have either exposed joists or a correctly sized hole at the desired ceiling location.

Goal: To cut out any joists that are in the way of your chosen location. **Before cutting the joists, you must attach them to other joists in the overhead attic to keep the ceiling from sagging or completely collapsing.**

STEP 1. If the room has a ceiling and you have cut the required hole, go to Step 2.

If the room has no ceiling, you will need to mark the joists according to (A) or (B) below.

(A) If the chosen location is parallel to the joists, mark the rough opening length on top of the joists (See Figure 7). Do not cut the joist at this mark.

(B) If the chosen location is perpendicular to the joists, mark the rough opening width on top of the joists (See Figure 8). Do not cut the joist at this mark.

STEP 2. Cut 2 joist-sized boards long enough to span 2 joists on each side of your chosen location (See Figure 9). These boards will support the joists that will be cut and help keep the ceiling from sagging or completely collapsing while you are working in the overhead space.

STEP 3. Place these boards approximately 24" from the edge of your chosen location and nail (See Figure 9).

Note: The 24" distance is needed to give you room to hammer nails into the frame that you will build in the next section.

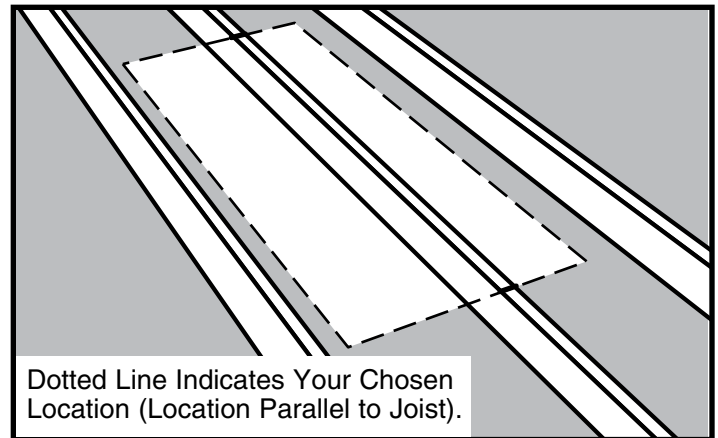


Figure 7

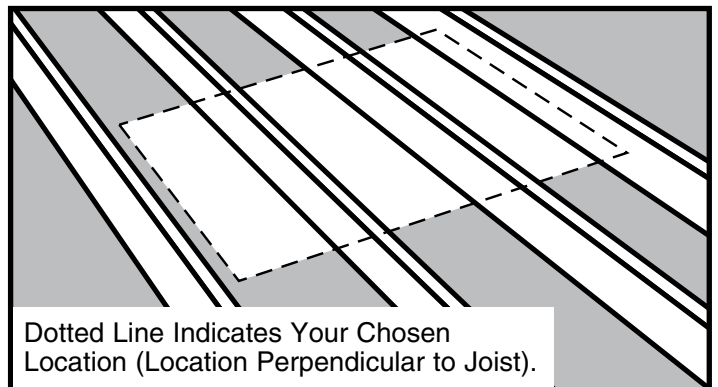


Figure 8

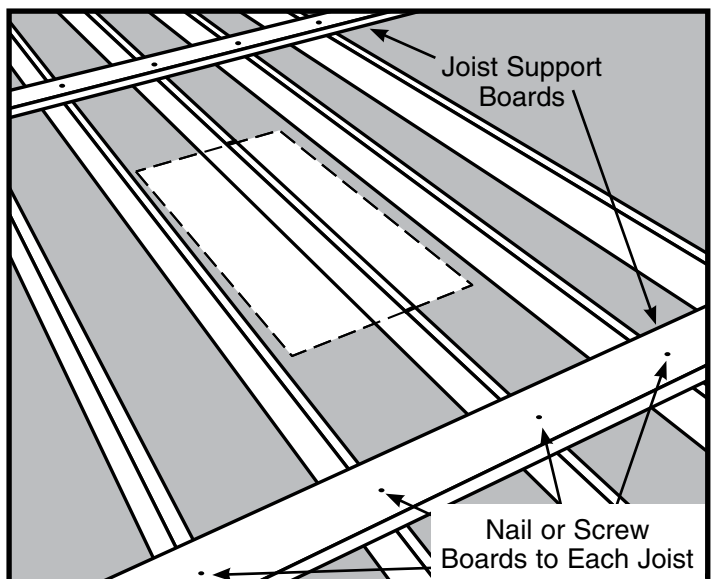


Figure 9

Cutting the Ceiling Joists

STEP 4. Next, determine where the joist(s) should be cut. Figure 10 shows where to mark the joist(s) that span your chosen location. Note that the joist(s) should be marked back from the edge of your location a distance of 2 times the joist thickness (usually three inches). This leaves room for two joist-sized headers to be placed against each end of the cut joist(s) (See Figure 16 on page 18).

Note: In some homes, especially older ones, the joists may be slightly thicker than the lumber you can currently buy. If your joists have a different thickness than the lumber you will be using for the headers, you will need to mark the joists back from the edge of your chosen location a distance of two times the header thickness instead of the joist thickness.

STEP 5. Saw through the joist(s) being careful not to cut through the ceiling and making sure the cut ends of the joist(s) are flat and vertical.

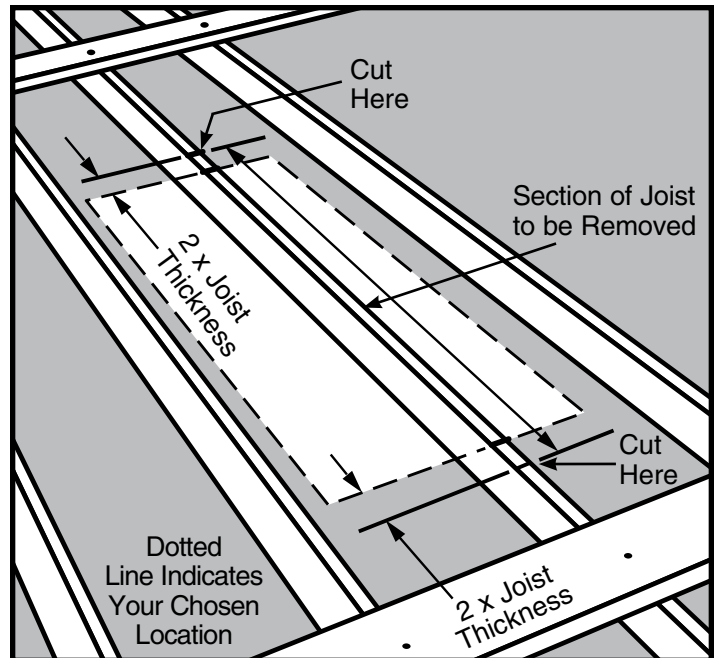


Figure 10

Section 1.5

Framing the Rough Opening

Before Proceeding: You should have a space between the joists at least 18". Any cut joists must be attached to uncut joists.

Goal: To create a four-sided frame the size of the rough opening using joist-sized lumber. This frame will be made of single or double thickness headers and stringers depending upon the particular installation. The frame is necessary to support the attic ladder and to reinforce the roof and ceiling structure.



WARNING:

FOR YOUR SAFETY, WATCH OUT FOR OVERHEAD HAZARDS.

DO NOT Do not stand or sit on the ceiling or insulation covering the ceiling — the ceiling is not made to support your weight. You can fall through the ceiling even though it looks solid! Only the joists can support weight. To avoid falling through the ceiling, you may want to make a working platform by laying boards across the joist. Watch out for sharp nails sticking through the roof.

Framing the Rough Opening

Installing Headers

If no joists have been cut, go to "Single Headers" below.

If any joists have been cut, go to "Double Headers" on page 18.

Single Headers

- STEP 1. Measure the header length "H" between the joists (See Figure 11).
- STEP 2. Cut 2 headers this length. Use joist-sized lumber.
- STEP 3. Place one of these headers at one end of your chosen location (See Figure 12). The header must fit snugly between the joists. Hammer it into position if necessary; if it is more than 1/16" too long, trim it. If it is more than 1/16" too short, cut another piece.
- STEP 4. Square the header to one joist and drive 3 nails (16d) through the joist and into the header. Check for squareness and drive 3 nails (16d) through the other joist and into the header (See Figure 12). It is very important that header board is vertically square as well as horizontally square to side joists.
- STEP 5. Position the second header at least 24" from the first one and repeat Step 4 (See Figure 13).
- STEP 6. The frame for the rough opening requires four sides. The headers make up two of those sides. If your ceiling joists are spaced so that they make up the other two sides of the rough opening, check the opening for squareness by measuring across the diagonals. The measurements should be within 1/8" to be considered square (See Figure 13).

If your ceiling joists do not make up the other two sides of the rough opening, you need to install one or two additional pieces of lumber to frame the other side(s) of the rough opening, go to "Installing Stringers" on page 19.

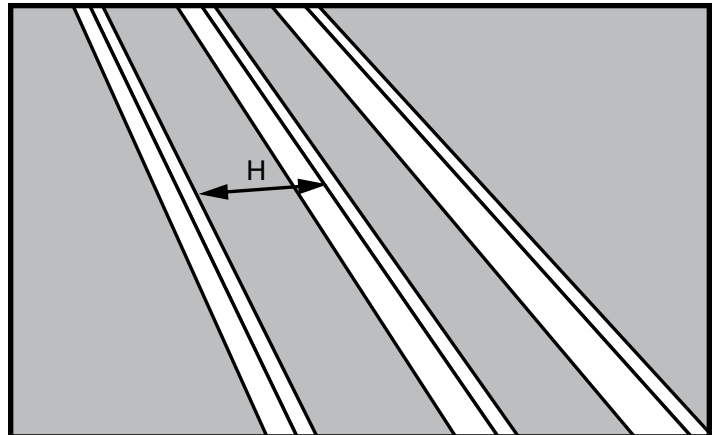


Figure 11

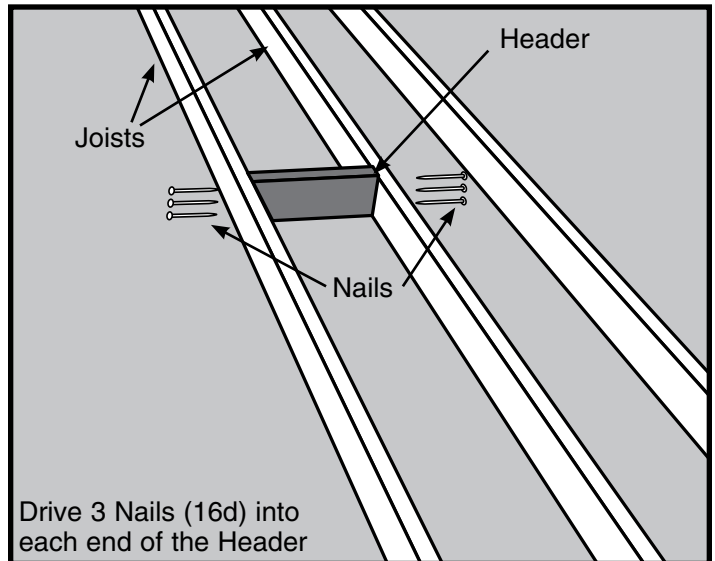


Figure 12

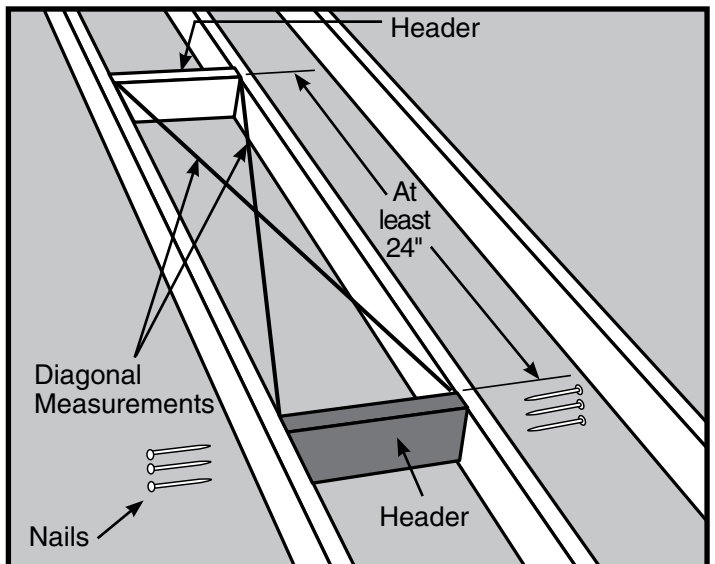


Figure 13 How to check for square

Framing the Rough Opening

Double Headers

- STEP 1. Measure the header length "H" between the uncut joists (See Figure 14).
- STEP 2. Cut 4 headers this length. Use joist-sized lumber.
- STEP 3. Place one of these headers against the end of the cut joist(s) (See Figure 15). It must fit snugly between the uncut joists. Hammer it into position if necessary; if it is more than 1/16" too long, trim it. If it is more than 1/16" too short, cut another piece.
- STEP 4. Square the header to the uncut joist and nail the header to the end of the cut joist(s) with 3 nails (See Figure 15).
- STEP 5. Check header for squareness then drive 3 nails through each joist into each end of the header (See Figure 15).
- STEP 6. Place a second header against the first header and nail it to the first header with 3 nails between each joist (See Figure 16).
- STEP 7. Drive 3 nails through the joists into each end of the second header (See Figure 16).
- STEP 8. Repeat steps 3-7 to install headers at the opposite end of the opening.
- STEP 9. To frame the other side(s) of the rough opening, go to "Installing Stringers" on page 19.

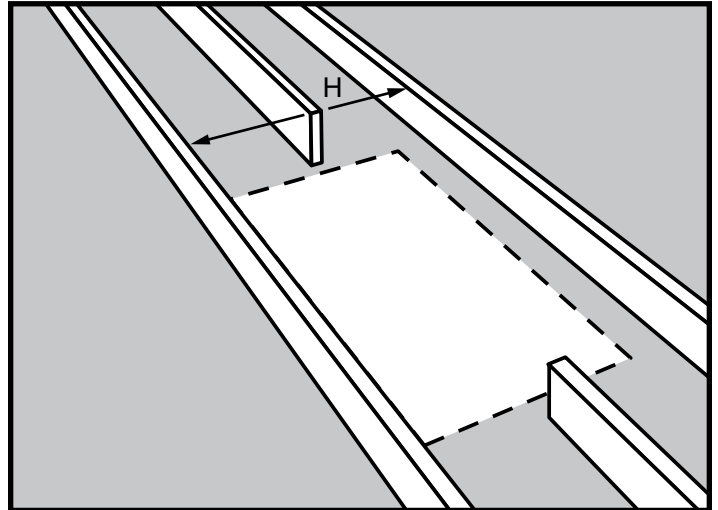


Figure 14

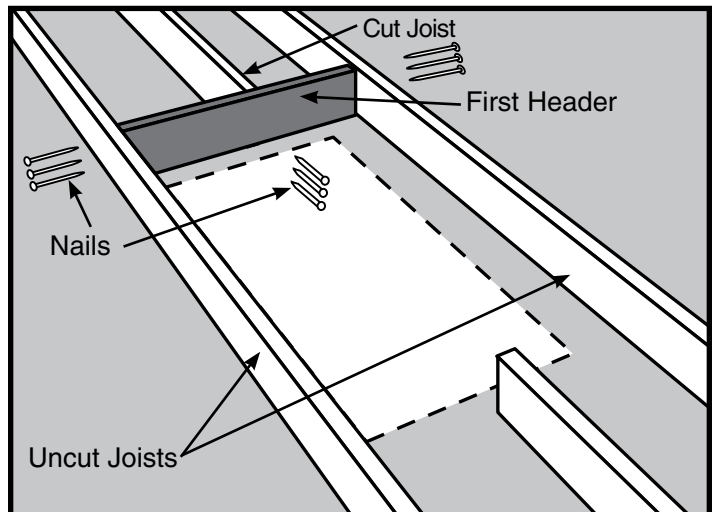


Figure 15

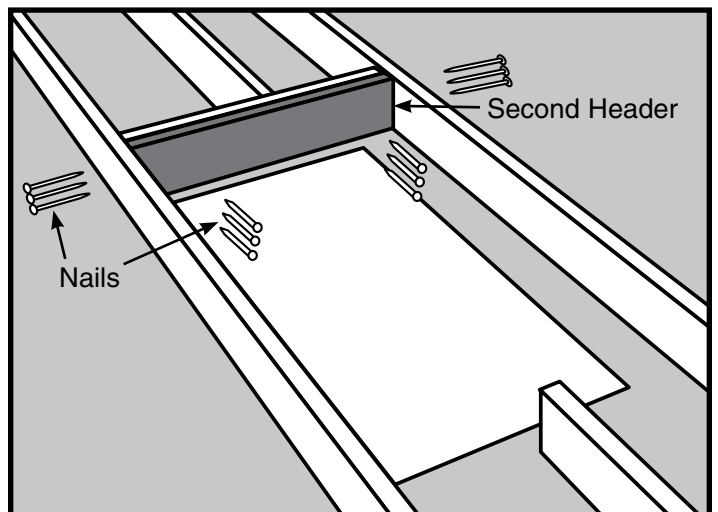


Figure 16

Framing the Rough Opening

Installing Stringers

- STEP 1. Measure the stringer length "S" between the headers (See Figure 17).
- STEP 2. Cut a stringer to this length. Use joist-sized lumber.
- STEP 3. If the ceiling joist does not provide one side of the frame, then cut a second stringer the same length as the first one. Note that only one stringer is needed in Figure 17 because the ceiling joist provides one side of the frame.
- STEP 4. Position the stringer(s) along the unframed side(s) of your location (See Figure 18). Check that the inside dimensions of the frame are at least 18" x 24".
- STEP 5. To attach the stringer(s) to the headers, use nails that are long enough to go through both headers and into the stringer at least one inch. In most cases, a 4" nail (20d) will be long enough. Square the stringer(s) to the headers at one end and drive 3 nails through the headers and into the stringer. Check for squareness, then nail the other end. Check the rough opening for squareness by measuring across the diagonals. The two measurements must be within 1/8" to be considered square (See Figure 18).

Note: A 3/4" wood floor 27" min. deep by the full width of your opening is required for the attachment of the assist arm. Please refer to Step 5 on page 6 of this manual for instructions on attaching assist arm.

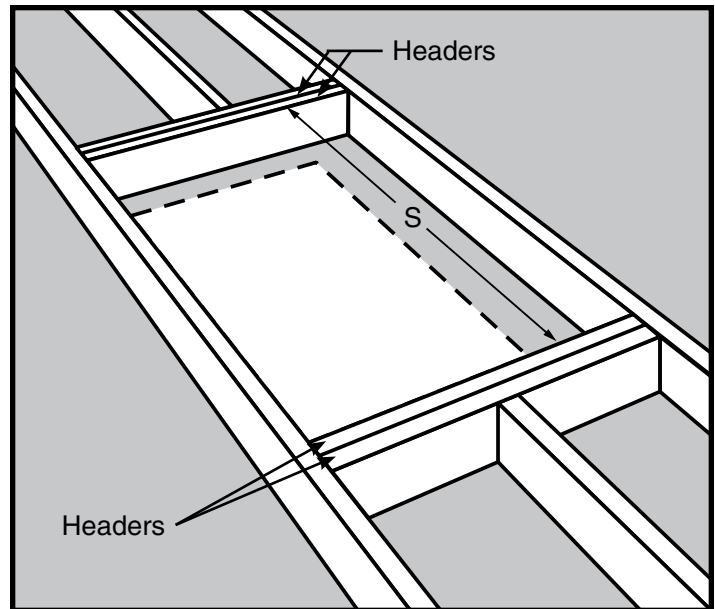


Figure 17

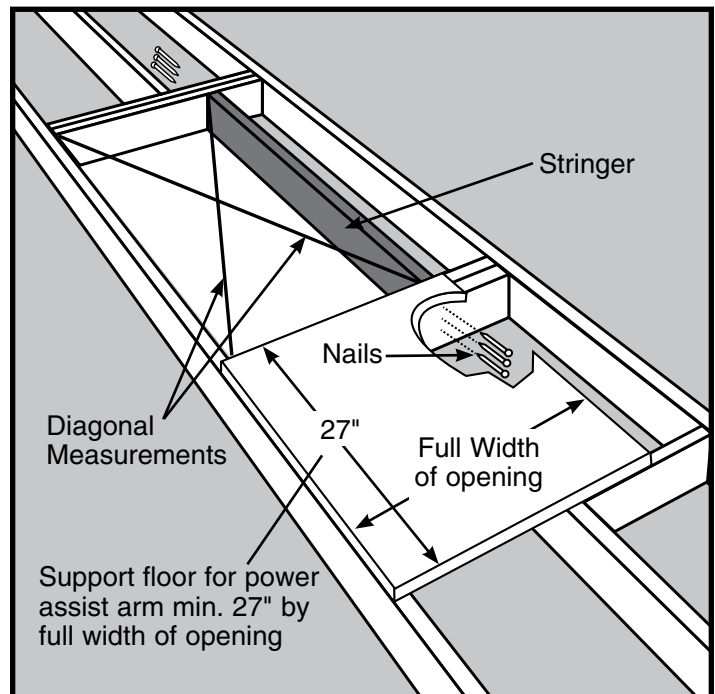


Figure 18

Escalera de Compacta Para Ático

CONSTRUIDA PARA ABERTURAS DE ÁTICO PEQUEÑAS

Índice

		Página
	Antes de comenzar	2
	Preguntas importantes	3
Paso 1	Ensamblaje de la escalera	3
Paso 2	Instalación de topes superiores adicionales	4
Paso 3	Instalación de topes inferiores	5
Paso 4	Instalación de la escalera	5
Paso 5	Instalación del brazo de ayuda	6
Paso 6	Pasamanos	7
Paso 7	Acabado de la abertura para la puerta	7
Paso 8	Colgado de la puerta	8
Paso 9	Ubicación del orificio para la cerradura de la puerta	8-9
Paso 10	Sujeción del soporte para el pestillo de la cerradura	9
Paso 11	Manejo de la escalera	10
Apéndice	Creación de una abertura preliminar	11
Sección 1.1	Preguntas importantes	11
Sección 1.2	Herramientas y materiales necesarios	12
Sección 1.3	Búsqueda de una ubicación adecuada	13
Sección 1.4	Corte de una abertura en el cielo raso	14-16
Sección 1.5	Enmarcado de la abertura preliminar	16-19

Antes de comenzar

HERRAMIENTAS REQUERIDAS

ESCALERA TIPO TIJERA
 PUNZÓN
 SIERRA
 TALADRO MÁS BROCA DE 1/2" y 1/16"
 DESTORNILLADOR DE PALA GRANDE
 DESTORNILLADOR PHILLIPS (pequeño y mediano)
 LLAVE AJUSTABLE / ALICATES
 CINTA MÉTRICA / REGLA
 MARTILLO
 LÁPIZ

MATERIAL DE PUERTA REQUERIDO

ASEGÚRESE DE UTILIZAR MADERA LAMINADA DE 3/4" PARA ARMARIOS.
 TABLA DE MADERA MACIZA DE 1 X 3 REQUERIDA PARA EL MARCO DE LA PUERTA
 TABLA DE MADERA MACIZA DE 1 X 2 REQUERIDA PARA LA CUÑA DE LA PUERTA

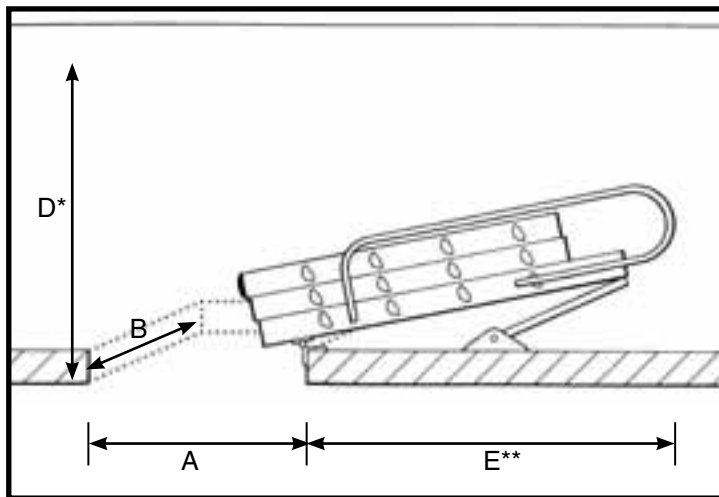
AL COMIENZO DE CADA PASO A LO LARGO DE ESTE MANUAL DE INSTRUCCIONES, SE ENUMERARÁN LOS TORNILLOS/CLAVOS Y COMPONENTES NECESARIOS.

SI CUALQUIER PIEZA ESTÁ FALTANDO O ESTÁ ROTA, POR FAVOR LLAME AL SERVICIO AL CLIENTE AL 1-888-523-3370.

Escalera de ático compacta

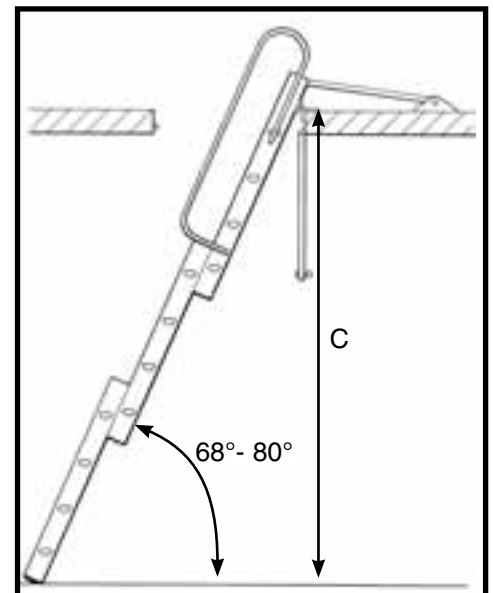
A	Abertura mínima acabada (longitud)	0.53m
B	Abertura mínima acabada (ancho)	0.38m
C	Altura máxima	3.00m
	Altura mínima	2.13m
D*	Altura mínima para guardado requerida en el ático	0.72m
E**	Longitud mínima requerida Hacia atrás de la apertura preliminar	1.12m

Requisitos en la posición cerrada



*En la posición inferior del pasamanos - 0.72m **En la posición inferior del pasamanos - 1.12m
 En la posición superior del pasamanos - 0.97m En la posición superior del pasamanos - 1.37m

Requisitos en la posición abierta



Preguntas importantes

Lea completamente las instrucciones antes de empezar. Esto es necesario para garantizar que usted tiene una ubicación adecuada para la escalera de ático y la capacidad para instalarla de manera segura y apropiada.

¿Es usted capaz de instalar esta escalera de ático?

Para instalar esta escalera de ático usted debe tener habilidades para aserrar, escuadrar y alinear, similares a las habilidades requeridas para instalar un marco de ventana o puerta. Si usted no tiene estas habilidades, usted debería contratar un carpintero profesional para instalar esta unidad (consulte las Páginas Amarillas bajo los títulos de “Contratistas de Construcción, Carpinteros, Constructores de Casas, Remodelaciones de Casas, o Contratistas en General”)

¿Satisface esta escalera de ático sus necesidades?

Esta escalera de ático sólo es para uso residencial. La instalación de esta escalera de ático en edificaciones comerciales y apartamentos podría violar los códigos de construcción que exigen cielos rasos con capacidad de resistencia al fuego y prohíben almacenar materiales en el espacio superior. Verifique con su jefe de bomberos local o con el ministerio de construcciones antes de instalar la escalera de ático.

La capacidad de la escalera de ático (persona más materiales que se cargan) es de 250 libras.

Esta escalera de ático está hecha para el rango de alturas de cielos rasos mostrado en el embalaje/paquete. No instale la escalera de ático en un cielo raso que tiene una altura fuera de este rango. Alterar la escalera de ático para acomodarse a otras alturas es inseguro y nunca debe intentarse.

ESTA ESCALERA DE ÁTICO VIENE CON BISAGRAS Y CERRADURA PARA INSTALAR UNA PUERTA (NO INCLUIDA). PARA MODIFICAR O CREAR UNA ABERTURA NUEVA, POR FAVOR CONSULTE EL APÉNDICE (PÁGINA 11).

Paso 1

Ensamblaje de la escalera

HERRAMIENTAS REQUERIDAS

MARTILLO

PIEZAS REQUERIDAS

B1. (1) GUÍA DE BISAGRA - IZQUIERDA
B2. (1) GUÍA DE BISAGRA - DERECHA



Para la identificación correcta, la sección delantera de la escalera puede identificarse por sus patas redondeadas.

1. Extraiga cuidadosamente las tachuelas (golpee suavemente con un martillo en caso de ser necesario) y retire las tapas de extremo plásticas de la parte inferior de la sección TRASERA de la escalera (vea la Figura A).
2. Deslice las guías de bisagra (B1 & B2) sobre la sección más alta del marco. Los soportes deben colocarse hacia afuera con la mitad de doble orificio más alta (vea la Figura B).
3. Deslice todo el recorrido hasta los topes superiores de instalación permanente en el otro extremo de la sección.
4. No vuelva a colocar las tapas de extremo plásticas (vea más adelante en el Paso 3 - Instalación de los peldaños inferiores).

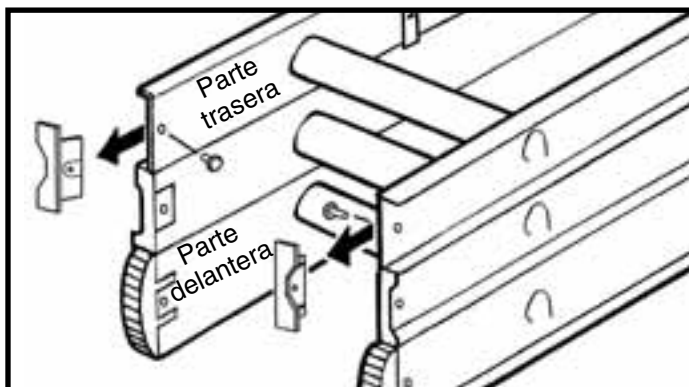


Figura A

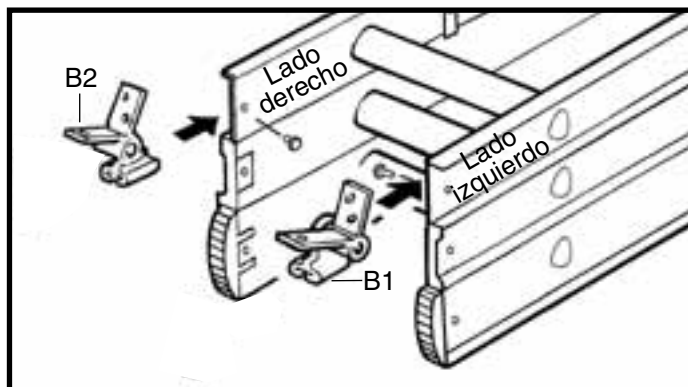


Figura B

Instalación de los topes superiores adicionales

<p>HERRAMIENTAS REQUERIDAS</p> <p>LLAVE AJUSTABLE / ALICATES</p>	<p>PIEZAS REQUERIDAS</p> <p>C1. (2) PERNOS DE TOPES SUPERIORES M4 X 8MM</p> <p>C2. (2) TOPES SUPERIORES ADICIONALES</p> <p>C3. (2) TUERCAS DE FIJACIÓN M4</p>	
---	--	--

Requisitos en la posición abierta

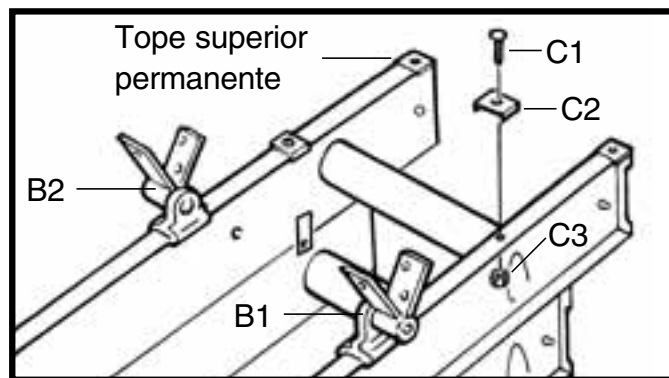
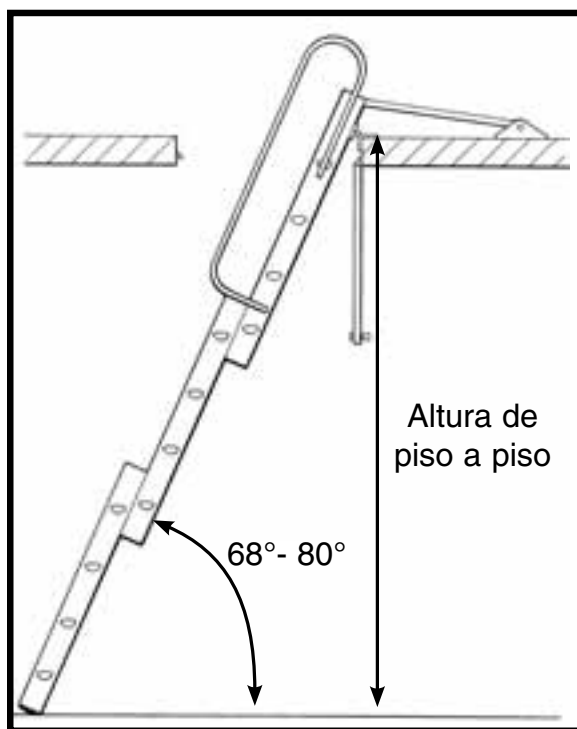


Figura C

Dependiendo de la altura de piso a piso (vea a la izquierda los Requisitos en la posición abierta), usted podría necesitar agregar los topes superiores adicionales suministrados (C2) (vea abajo la tabla).

1. En caso de requerirse, coloque los topes superiores adicionales en los orificios a aproximadamente 6" debajo de los topes superiores permanentes en la sección trasera de la escalera (vea la Figura C).
2. Verifique que las guías de bisagra (B1 y B2) ya estén en su sitio y debajo de los topes superiores adicionales cuando están instalados.
3. Fije los topes superiores adicionales utilizando las dos tuercas y pernos M4 suministrados (C1 y C3).

Alturas de funcionamiento	
Pies y pulgadas	Topes superiores requeridos
2.13m hasta 2.28m	SÍ
2.28m hasta 2.41m	NO
2.41m hasta 2.57m	SÍ
2.57m hasta 2.71m	NO
2.71m hasta 2.84m	SÍ
2.84m hasta 3.00m	NO

Paso 3

Instalación de topes inferiores

HERRAMIENTAS REQUERIDAS

DESTORNILLADOR DE PALA GRANDE
DESTORNILLADOR PHILLIPS
(pequeño y mediano)
MARTILLO

PIEZAS REQUERIDAS

D1. (2) TOPES INFERIORES
D2. (4) TORNILLOS 12 MM



1. En este momento, ambas tapas de extremo debieron haber sido retiradas de la sección trasera durante el anterior Paso 1. Retire la tapa de extremo del riel de la sección trasera (en el mismo lado tal como está pensado para instalar el brazo de ayuda).
2. Deslice los topes inferiores (D1) sobre los rieles traseros.
3. Coloque los topes inferiores a 0.15m del extremo de los rieles (vea la Figura D).
4. Fije con los tornillos (D2).
5. Coloque nuevamente las tapas de extremo plásticas retiradas previamente y asegure con tachuelas.

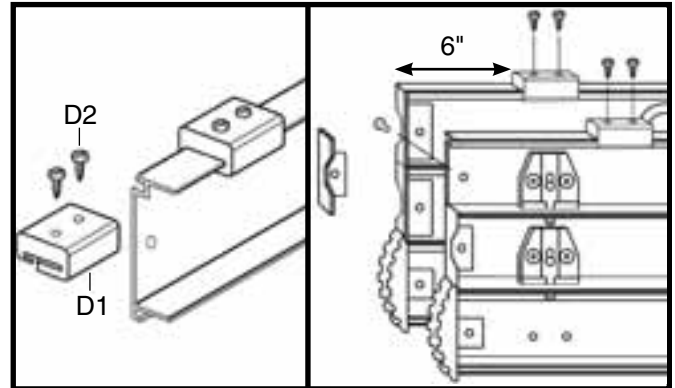


Figura D

Paso 4

Instalación de la escalera

HERRAMIENTAS REQUERIDAS

ESCALERA TIPO TIJERA
TALADRO MÁS BROCA DE 1/16"
DESTORNILLADOR DE PALA GRANDE
DESTORNILLADOR PHILLIPS (pequeño y mediano)
LÁPIZ

PIEZAS REQUERIDAS

B1. (1) GUÍA DE BISAGRA - IZQUIERDA
B2. (1) GUÍA DE BISAGRA - DERECHA
B3. (6) TORNILLOS de 35 MM

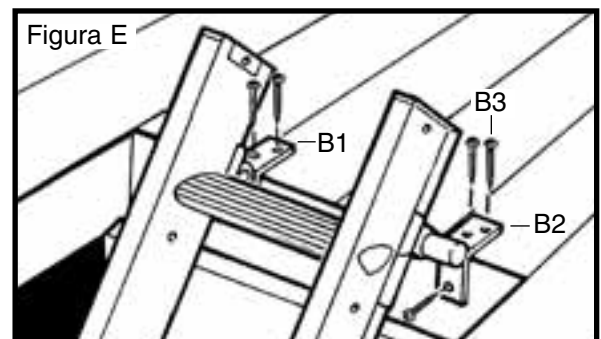
Espesor mínimo de piso de 3/4" requerido para soportar la Escalera de Ático Compacta (vea el Apéndice, Página 19, Figura 18). La escalera debe instalarse en el mismo lado de la abertura donde se colocarán las bisagras de la puerta.

1. Con la escalera centrada en la abertura, coloque los brazos de soporte de las guías de bisagra (B1 y B2) en el borde superior del marco de la abertura (vea la Figura E).
2. Marque con un lápiz los orificios de guía y luego pretaladre los orificios piloto (1/16" de diámetro) para todos los tornillos.
3. Sujete utilizando tornillos de 35mm (B3).

Los brazos de soporte con dos orificios para tornillo deben estar en la parte superior.

Si el material del piso cubre el borde superior de la abertura, verifique que la escalera está completamente estable. Si es necesario, utilice tornillos más largos para penetrar el marco en sí.

En este momento, la escalera debe estar libre para girar en las bisagras y deslizarse libremente hacia arriba y abajo por las guías.



⚠ ADVERTENCIA:

NO se pare sobre la escalera para hacer esto. Utilizando una segunda escalera, o desde el interior del ático, asegure las bisagras utilizando seis tornillos de 35mm suministrados.

Instalación del brazo de ayuda

HERRAMIENTAS REQUERIDAS	PIEZAS REQUERIDAS	
PUNZÓN	F1. (1) UNIDAD DE PIVOTE DE FUERZA	F6. (2) ARANDELAS PLÁSTICAS
DESTORNILLADOR DE PALA GRANDE	F2. (1) CUBIERTA DEL ALOJAMIENTO	F7. (1) TUERCA DE FIJACIÓN M6
DESTORNILLADOR PHILLIPS (pequeño y mediano)	F3. (6) TORNILLOS de 20 MM	F8. (1) TAPA DE TUERCA
LLAVE AJUSTABLE / ALICATES	F4. (1) PUNTA DE PIVOTE	F9. (1) PLANTILLA DE ORIFICIOS PARA TALADRAR EN LA BASE [EN LA PARTE TRASERA DE LA CAJA DE CARTÓN DE EMBALAJE/EMPAQUE]
	F5. (1) PERNO M6 x 40 MM	

- Coloque la plantilla cortada (procedente de la parte trasera de la caja de cartón de embalaje) contra el soporte de la guía de bisagra izquierda o derecha (dependiendo del lado elegido donde se instalará el sistema de pivote de fuerza).
- Utilizando un punzón o lápiz, marque los 6 orificios respectivos a través de la plantilla sobre el piso del ático (vea la Figura F).
- Coloque el alojamiento (F1) del resorte sobre los orificios asegurándose que el brazo quede dirigido en dirección contraria de la abertura preliminar (con la ranura de la cubierta en el lado izquierdo) (vea la Figura G).
- Fije el alojamiento del resorte al piso del ático mediante los tornillos de 20 mm (F3) a través de los 4 orificios interiores (vea la Figura G).
- Coloque la cubierta (F2) del alojamiento sobre el alojamiento del resorte y sujete utilizando los tornillos de 20 mm (F3) a través de los 2 orificios exteriores restantes (vea la Figura G).
- Coloque cuidadosamente la escalera en su posición totalmente guardada (cerrada) en la abertura.
- Retire la tachuela y la tapa superior plástica de la parte superior del riel lateral requerido de la sección trasera de la escalera y deséchela (vea la Figura H).
- En su lugar, sujete la Punta de Pivote (F4) (vea la Figura H).
- Coloque las placas de conexión del brazo de fuerza en cualquier lado de la punta de pivote (F4) / riel de escalera y alinee todos los orificios.
- Asegure el riel a las placas de conexión utilizando el perno (F5), arandelas (F6), tuerca y tapa de tuerca (F7 y F8) (vea la Figura I).

Verifique que el perno (F5) y la tuerca (F7) están apretados de manera suficiente para permitir que el mecanismo gire libremente sin ninguna soltura.

NO apriete en exceso la tuerca ya que esto restringirá el funcionamiento suave del sistema de la escalera.

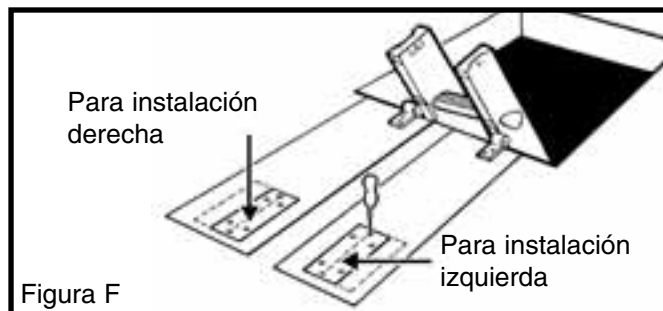


Figura F

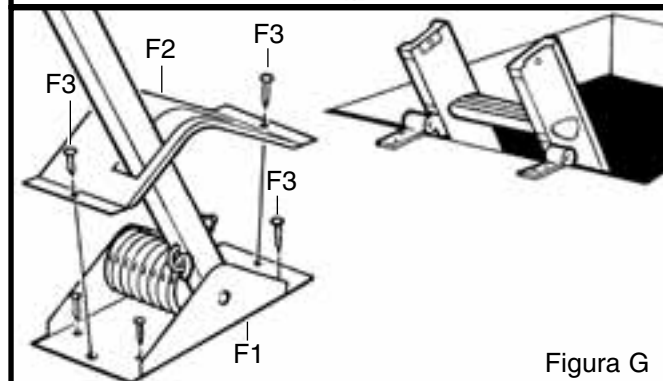


Figura G

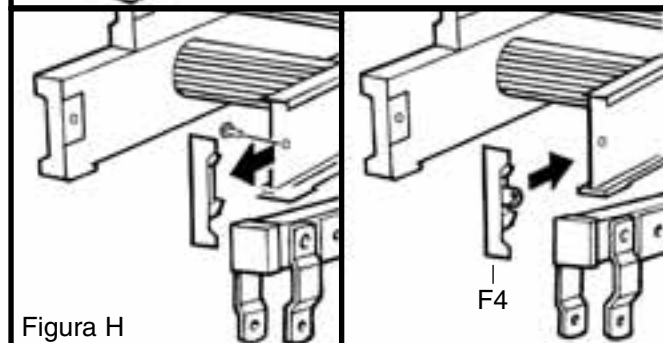


Figura H

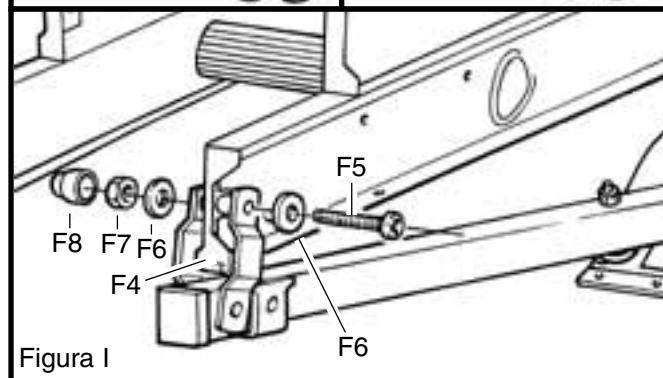


Figura I

Paso 6

Pasamanos

HERRAMIENTAS REQUERIDAS

LLAVE AJUSTABLE / ALICATES

PIEZAS REQUERIDAS

- E1. (3) ESPACIADORES DEL PASAMANOS
- E2. (3) PERNOS M5 x 60 MM
- E3. (3) ARANDELAS DE 25 MM DE DIÁMETRO
- E4. (3) TUERCA DE FIJACIÓN M5

El pasamanos puede sujetarse a cualquier lado de la escalera. Se recomienda sujetar el pasamanos sólo después de sujetar el brazo de pivote de fuerza.

1. Fije el pasamanos en su lado elegido del marco trasero (vea la Figura J).
2. Utilice 3 espaciadores (E1), pernos de 60mm (E2), arandelas y tuercas (E3 y E4) suministrados.
3. Usted tiene la opción de 2 diferentes alturas de pasamanos que dependerán de la cantidad de pasamanos “dentro del ático” que usted requiera (vea la Figura J).

Verifique que todos los componentes de todo el conjunto están totalmente firmes.

*La posición 1 fija el pasamanos en la posición superior.

**La posición 2 fija el pasamanos en la posición inferior.

Nota: La posición del pasamanos afectará la cantidad de espacio necesario dentro del ático.

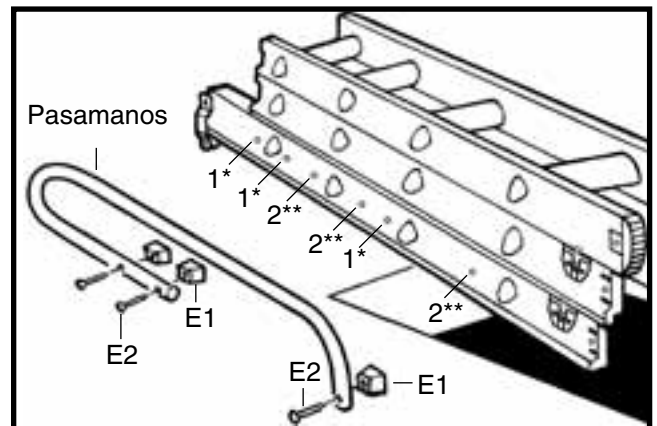
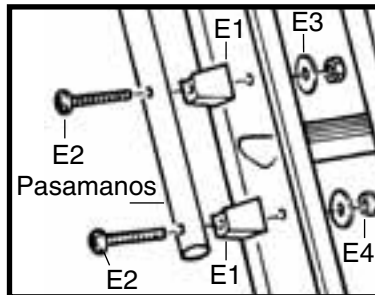


Figura J

Paso 7

Acabado de la abertura para la puerta

HERRAMIENTAS REQUERIDAS

SIERRA
TORNILLOS / CLAVOS
DESTORNILLADOR PHILLIPS (pequeño y mediano)

PIEZAS REQUERIDAS

Tabla de madera maciza estándar de 1 x 3 (marco para la puerta)
Tabla de madera maciza estándar de 1 x 2 (cuña para la puerta)
Su elección de madera de acabado

Utilice una tabla de madera maciza estándar de 1 x 3 para el marco de la puerta y una tabla de madera maciza estándar de 1 x 2 para la cuña de la puerta.

1. Mida el ancho de la abertura y corte la tabla de madera de 1 x 3. Sujete con clavos la tabla de madera recortada de 1 x 3 al travesaño. La parte inferior del marco de madera para la puerta debe quedar a ras con el panel drywall de acabado en el cielo raso. Repita para el tramo de longitud de la abertura. (Figura K)
2. Mida el ancho interior del marco y corte la tabla de madera de 1 x 2. Sujete con clavos la tabla de madera recortada de 1 x 2 al marco de madera para la puerta, adentro a una distancia igual al espesor de la puerta para crear la cuña de la puerta. Repita para el tramo de longitud del marco. (Figura L)

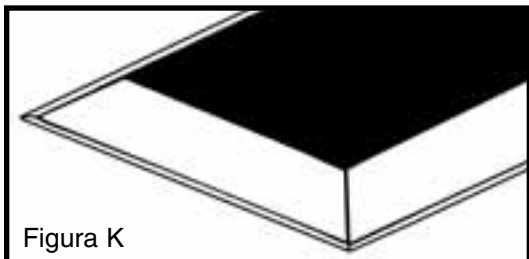


Figura K

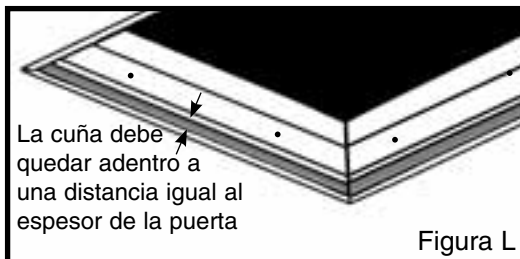


Figura L

Precaución: El uso de materiales con un espesor superior al espesor recomendado podría hacer que la abertura sea demasiado pequeña para ser útil.

Paso 8

Colgado de la puerta

HERRAMIENTAS REQUERIDAS

DESTORNILLADOR DE PALA GRANDE
DESTORNILLADOR PHILLIPS (pequeño y mediano)

PIEZAS REQUERIDAS

G5. (2) BISAGRAS PARA LA PUERTA
(8) TORNILLOS PARA MADERA DE 3/4"

El espesor de la puerta debe ser de 3/4", de madera laminada para armarios, cortada 3mm más pequeña que la abertura del marco de madera para la puerta (del Paso 7 - Acabado de la abertura para la puerta)

1. Atornille las bisagras (G5) a un borde de la puerta utilizando tornillos para madera de 3/4".
2. Sujete las bisagras a la cara del marco en el mismo extremo que usted instaló la escalera, utilizando los tornillos para madera de 3/4" (vea la Figura M).

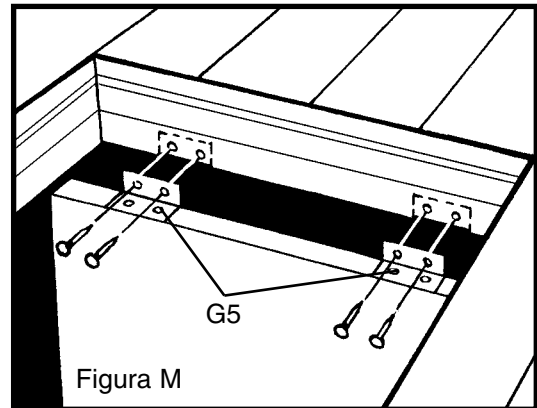


Figura M

Paso 9

Ubicación del orificio para la cerradura de puerta

HERRAMIENTAS REQUERIDAS

ESCALERA TIPO TIJERA
TALADRO
BROCA DE 1/2"
PAPEL DE LIJA
DESTORNILLADOR DE PALA GRANDE
DESTORNILLADOR PHILLIPS (pequeño y mediano)
LLAVE AJUSTABLE / ALICATES
CINTA MÉTRICA / REGLA
LÁPIZ

PIEZAS REQUERIDAS

A1. (1) CERRADURA
A2. (1) ANILLO DE TOPES DE RECORRIDO
A3. (1) PALANCA DE LA CERRADURA
A4. (1) TUERCA M12
A7. (1) TORNILLO de 12 MM

1. Desde el interior del ático, con la puerta totalmente cerrada, marque con un lápiz el borde de la cuña en la puerta. Mida atrás y transfiera la línea al lado opuesto de la puerta.
2. Encuentre el punto medio del borde de la puerta opuesto al lado con bisagra. Esto le proporcionará a usted su línea central (vea la Figura N). Marque con un lápiz.
3. Mida exactamente 25mm hacia adentro desde la marca que fue transferida, marque con un lápiz.
4. Taladre un orificio de 1/2" en el centro y lije los bordes rugosos.

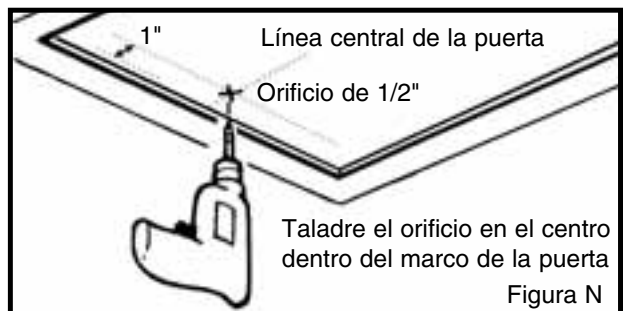
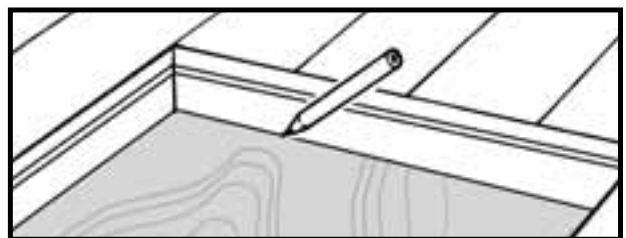
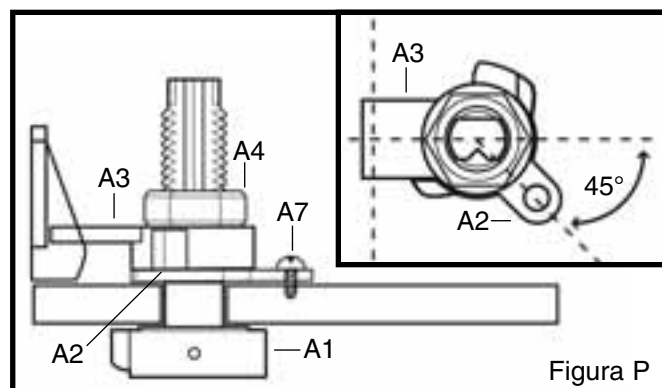
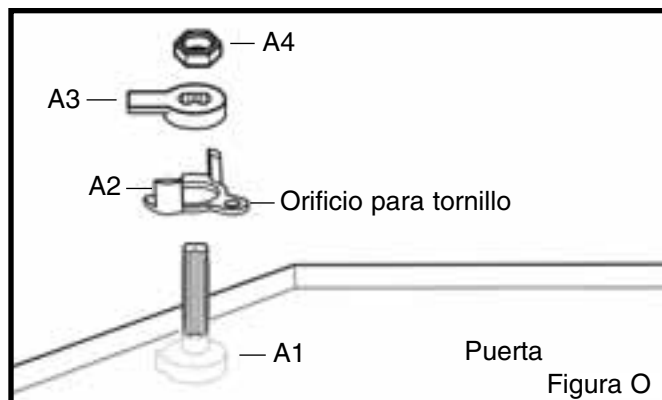


Figura N

(PASO 9, CONTINÚA EN LA SIGUIENTE PÁGINA)

(PASO 9, CONTINUACIÓN DE LA PÁGINA ANTERIOR)

5. Pase la cerradura (A1) a través del orificio de la puerta desde la parte de abajo de modo que el puntero de posición apunte hacia el borde de la puerta (vea la Figura O).
6. Coloque el anillo de topes de recorrido (A2) sobre la cerradura (A1) de modo que el orificio para tornillo esté a 45 grados con respecto a la línea central de la puerta (vea las Figuras O y P).
7. Coloque el pestillo (A3) de la cerradura sobre la cerradura (A1) y coloque dentro de la ranura de la cerradura de modo que el pestillo de la cerradura apunte hacia el borde cerca de la puerta y se coloque totalmente dentro del anillo de topes de recorrido (A2) (vea las Figuras O y P).
8. Asegure el anillo de topes de recorrido (A2) utilizando el tornillo de 12 MM (A7).
9. Asegure el pestillo con una tuerca M12 (A4) verificando que la tuerca esté apretada de manera suficiente para permitir que el pestillo gire libremente sin ninguna soltura (vea la Figura P).



Paso 10

Sujeción del soporte para el pestillo de la cerradura

HERRAMIENTAS REQUERIDAS

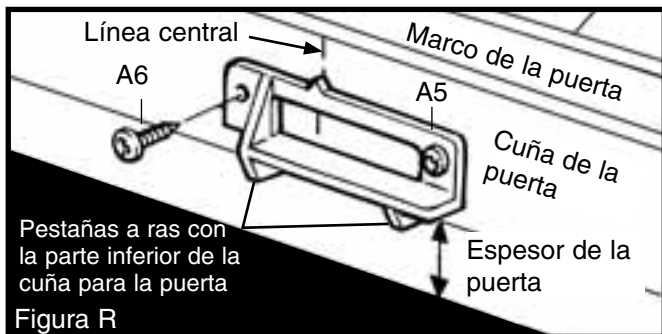
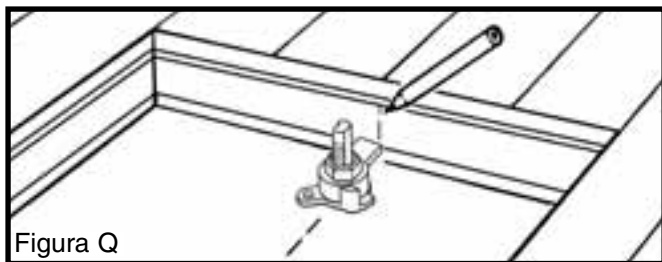
ESCALERA TIPO TIJERA
PUNZÓN
DESTORNILLADOR DE PALA GRANDE
DESTORNILLADOR PHILLIPS (pequeño y mediano)
CINTA MÉTRICA / REGLA
LÁPIZ

PIEZAS REQUERIDAS

A5. (1) SOPORTE PARA EL PESTILLO DE LA CERRADURA
A6. (2) TORNILLOS PARA MADERA DE 3/4"
(1) "ADVERTENCIA" ETIQUETA P/N103552-01
(1) "COMO UTILIZAR" ETIQUETA P/N103553-01

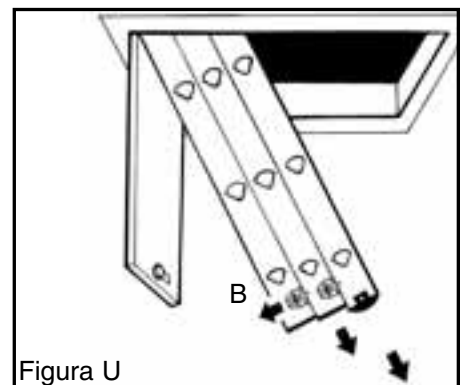
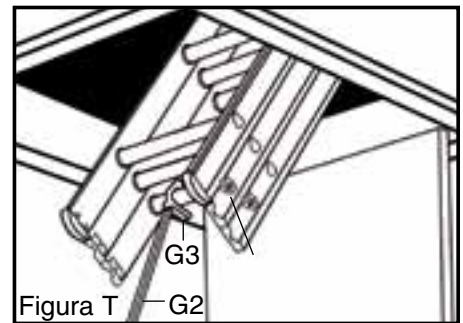
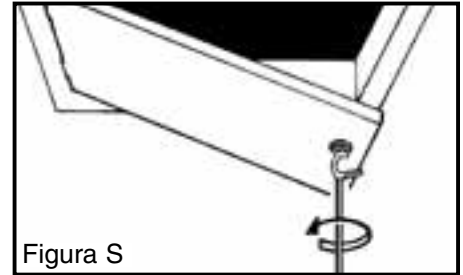
Cuando se gira hasta la posición correcta, el pestillo de la cerradura enganchará en el respectivo soporte para mantener cerrada la puerta. Sujete de la siguiente manera:

1. Marque una línea vertical en el interior de la cuña de puerta correspondiente con la línea central de la cerradura de la puerta (vea la Figura Q).
2. Coloque el soporte (A5) para el pestillo de la cerradura a lo largo del borde inferior de la cuña de madera de la puerta (vea la Figura R).
3. Haga coincidir la marca de muesca del soporte con la línea central vertical.
4. Realice orificios de guía con el punzón y sujete, utilizando 2 de los tornillos para madera de 3/4" suministrados (A6).
5. Aplicar las etiquetas de puerta, 103552-01 y 103553-01 a la parte superior de la puerta, dentro del ático.



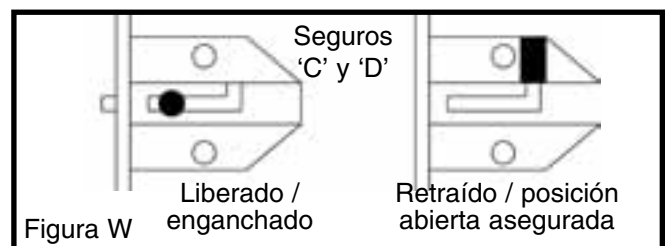
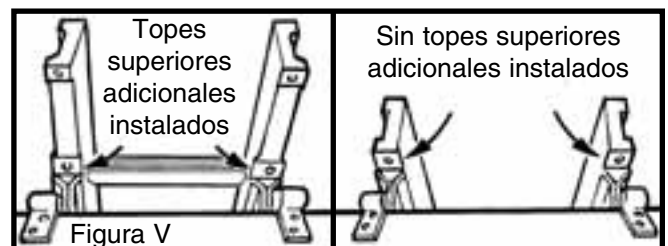
Manejo de la escalera

1. Coloque el gancho de guardado plástico (G3) dentro de un extremo de la barra de ayuda (G2) y empújela firmemente para garantizar que el gancho de guardado plástico (G3) quede totalmente colocado dentro de la barra. Asegure el gancho (G3) con el tornillo autorroscante. Introduzca el tapón de extremo plástico en el extremo opuesto de la barra de ayuda (G2).
2. Para abrir la puerta, coloque el gancho (G3) dentro de la ranura de la cerradura (A1) y gire el pestillo en sentido antihorario hasta que éste llegue al tope de recorrido y luego baje la puerta (vea la Figura S).
3. Coloque el gancho de guardado (G3) sobre y en el centro del peldaño inferior de la sección **TRASERA** de la escalera y hale continuamente la escalera hacia afuera y hacia abajo hasta que ambos topes superiores alcancen y hagan contacto con las guías de bisagra (vea la Figura T).
4. Retraiga ambos seguros derechos 'C' y 'D' (azules) y gire las palancas de ambos seguros hacia arriba dentro de la posición abierta asegurada (vea las Figuras T y W).
5. Para extender la escalera, retraiga el seguro izquierdo 'A' (negro) mientras se sostiene el marco delantero de la escalera. Baje lentamente el marco hasta que el seguro 'A' (negro) enganche nuevamente (Figura U).
6. Luego retraiga el seguro 'B' (negro) y baje el marco intermedio hasta que el seguro 'B' (negro) se enganche en su posición requerida. Extienda la escalera hasta que las patas se apoyen firmemente en el piso (Figura U).
7. Cuando se haya abierto completamente la escalera, gire hacia abajo ambas palancas de los seguros derechos para desasegurar y liberar ambos seguros 'C' y 'D' (azules) y verifique que ambos seguros están totalmente enganchados. **NO** utilice la escalera con algún seguro ('A', 'B', 'C' y 'D') desenganchado. Lea las etiquetas de seguridad en el producto.
8. Verifique que la escalera está halada hacia abajo de modo que los topes superiores (o topes superiores adicionales, si los tiene) estén apoyados firmemente en las guías de bisagra. Esto soporta la sección superior y evita que ésta se deslice hacia abajo cuando la persona sube por ésta.
9. Verifique el ángulo de escalera indicado en la etiqueta de seguridad o consulte nuevamente los requisitos en posición abierta en la página 2.



Guardado de la escalera

10. Retraiga ambos seguros derechos 'C' y 'D' (azules) y gire las palancas de ambos seguros hacia arriba dentro de la posición abierta asegurada (Figura W).
11. Para guardar la escalera, retraiga el seguro 'A' (negro), deslice el marco delantero totalmente hacia arriba hasta que el seguro enganche nuevamente.
12. Repita el paso 11 para el seguro 'B' (negro) y el marco intermedio de la escalera
13. Invierta el paso 10 y verifique que ambos seguros derechos 'C' y 'D' (azules) están totalmente enganchados.
14. Enganche el gancho de guardado plástico (E3) sobre y en el centro del peldaño inferior de la sección **TRASERA** de la escalera mientras se mantiene la barra de ayuda en la posición vertical, empuje la escalera verticalmente hacia arriba.
15. Continúe empujando lentamente la escalera hacia arriba y totalmente dentro de la abertura del ático.
16. Utilice la barra de ayuda para levantar la puerta y gire la cerradura en sentido horario para cerrar.



⚠️ ADVERTENCIA:

NO intente subir por su escalera de ático hasta que usted haya revisado que ésta está halada hacia abajo hasta los topes. Lea completamente todas las etiquetas de seguridad y verifique que ésta está colocada en el ángulo correcto. Verifique que los seguros de fijación están totalmente enganchados.

Creación de una abertura preliminar

Sección 1.1

Preguntas importantes

¿Es adecuado su cielo raso y estructura de vigas para esta instalación?

Esta escalera de ático puede instalarse en estructuras con estructuras de madera convencionales de techos (Vea la Figura 1). Si existe un cielo raso, usted debe tener una abertura de ático en el cielo raso que le permita ingresar al espacio superior para una inspección de pre-instalación.

Las estructuras de soporte de techos que tienen refuerzos diagonales conectados a las vigas del cielo raso o que utilizan celosías (Vea la Figura 2) no pueden cortarse sin destruir la capacidad de soporte de carga de esa sección del techo. No corte vigas que son parte de una celosía o estructura convencional reforzada con diagonales, sin primero consultar un arquitecto o ingeniero estructural (consulte las Páginas Amarillas bajo los títulos de “Arquitectos o Ingenieros Estructurales”).

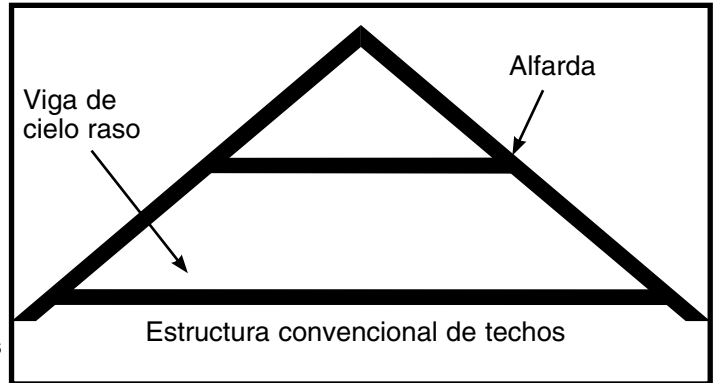


Figura 1

La escalera de ático no debe instalarse en un cielo raso que tenga alguno de los siguientes componentes:

- Componentes de sistemas de calefacción / enfriamiento incrustados en el cielo raso
- Vigas hechas de materiales diferentes a la madera
- Revoque (mortero) reforzado con metal
- Cielos rasos suspendidos

Si su cielo raso contiene alguno de los anteriores elementos, no intente instalar la escalera de ático. Comuníquese con un profesional para obtener ayuda para sus necesidades específicas (consulte las Páginas Amarillas bajo los títulos “Contratistas de Calefacción y Enfriamiento, Contratistas de Construcción, Carpinteros, Constructores de Casas, Remodelación de Casas, o Contratistas en General”).

¿Satisfacen estas instrucciones sus necesidades?

Estas instrucciones describen cómo instalar la escalera de ático de manera paralela o perpendicular a las vigas del cielo raso. Comuníquese con un profesional si usted quiere instalar la escalera de ático en otra dirección con respecto a las vigas.

¿Es adecuado su cielo raso y estructura de vigas para esta instalación?

ADVERTENCIA: NO CORTE ESTOS TIPOS DE ESTRUCTURAS SIN CONSULTAR UN ARQUITECTO O INGENIERO ESTRUCTURAL.

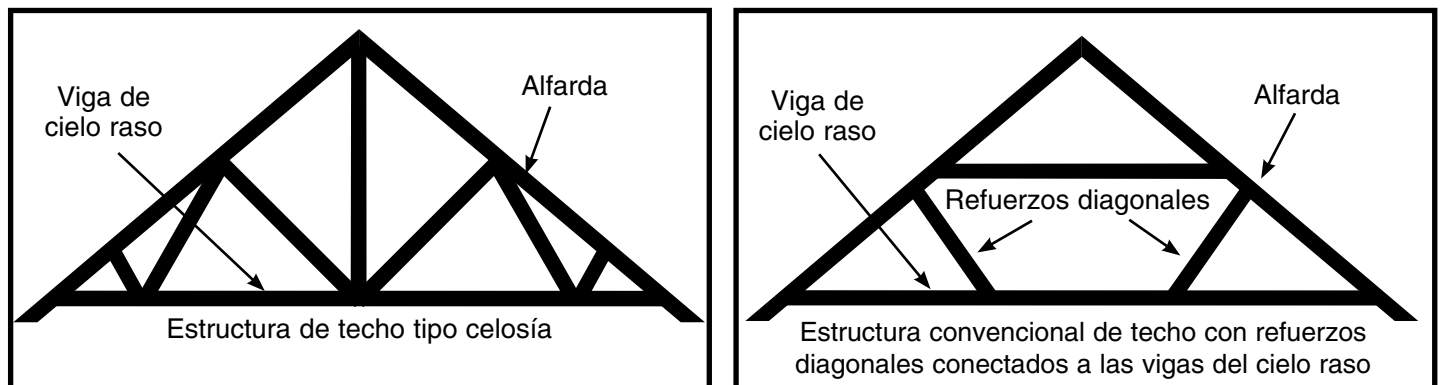


Figura 2

Herramientas y materiales requeridos

Materiales:

- Varias piezas de madera con tamaño de viga (la cantidad depende de la instalación específica)
- Clavos perforantes 16d ó tornillos de resistencia equivalente (24-60 dependiendo de la instalación específica)
- Clavos perforantes 20d ó tornillos de resistencia equivalente son necesarios para instalaciones donde se cortan vigas

Escalera tipo tijera:

- Usted necesitará una escalera tipo tijera que sea lo suficientemente alta para que usted pueda ingresar al espacio superior sin pararse más allá de la altura de trabajo de la escalera tipo tijera. La altura de trabajo de la escalera tipo tijera es dos peldaños abajo de la meseta (superficie superior de la escalera).
- Su escalera tipo tijera también debe tener una capacidad de servicio superior a la suma de su peso más el peso de la escalera de ático y cualquier material adicional utilizado para la instalación.

PRECAUCIÓN: Tenga cuidado al utilizar una escalera tipo tijera para ingresar y salir del espacio superior.

Herramientas para crear una abertura preliminar:

- Linterna o lámpara de extensión
- Martillo de uña
- Lápiz
- SERRUCHO manual / sierra motorizada
- Cinta para medir
- Escuadra para fabricación de marcos
- Herramientas para cortar una abertura en el cielo raso existente

Equipo de seguridad:

- Guantes
- Gafas de seguridad
- Mascarilla contra polvo

Búsqueda de una ubicación adecuada

Antes de proceder: Usted debe tener una estructura apropiada de vigas y cielo raso, herramientas y materiales requeridos, y una ubicación nivelada y plana en el cielo raso.

Objetivo: Encontrar una ubicación libre de peligros y obstrucciones que proporcione espacio para la instalación y uso de la escalera de ático.

PASO 1. Elija una posible ubicación para la instalación. Verifique el tamaño de la abertura preliminar mostrado en la caja o en la lista de verificación de pre-instalación.

Si usted está instalando la escalera de ático en un garaje, no olvide considerar donde se estacionarán los automóviles.

PASO 2. Si no hay cielo raso y la escalera de ático encajará entre las vigas de modo que no se requiere cortar vigas, vaya a la Sección 1.5 “ENMARCADO DE LA ABERTURA PRELIMINAR”.

Si no hay cielo raso, pero se requiere cortar una o más vigas, vaya a la Sección 1.4 “CORTE DE VIGAS DEL CIELO RASO”.

Si hay un cielo raso en esta ubicación, usted deberá inspeccionar el área de ático sobre esta ubicación según se describe en los pasos 3 y 4.

PASO 3. Ingrese al espacio superior y encuentre el área sobre su ubicación elegida.

Esta área podría ubicarse:

- A) Escuchando al golpear desde abajo
- B) Midiendo distancias desde las paredes u otros objetos comunes al espacio superior y al sitio debajo

ADVERTENCIA: No clave clavos metálicos u otros objetos conductores de la electricidad en el cielo raso a menos que usted esté seguro que no harán contacto con cables eléctricos. El contacto con un cable eléctrico puede ser mortal.

PASO 4. En esta ubicación en el espacio superior:

- A) Verifique que hay suficiente espacio para que usted se pueda mover de manera segura durante la instalación.
- B) Revise el espacio superior en cuanto a espacio de almacenamiento adyacente a la ubicación elegida. Si desea caminar o arrastrarse en el espacio superior, asegúrese que hay suficiente espacio para hacerlo así.
- C) Revise el espacio sobre su ubicación elegida en cuanto a peligros y obstrucciones tales como:
 - Cables eléctricos
 - Tubos
 - Ductos de calentamiento y enfriamiento
 - Hornos
 - Calentadores de agua calientes u otras obstrucciones

Nota: Para revisar en cuanto a peligros, usted deberá mover el aislamiento de su ubicación elegida. Utilice una mascarilla contra polvo, gafas de seguridad y guantes, y mantenga cubierto su cuerpo para evitar pequeños cortes con la fibra de vidrio. Mueva suavemente a un lado el aislamiento para evitar agitar el polvo que podría ser dañino para sus ojos y pulmones.

PASO 5. Si existe cualquier peligro u obstrucción en su ubicación elegida, busque otra ubicación o haga mover los peligros u obstrucciones por parte de profesionales (consulte las Páginas Amarillas bajo los títulos de “Contratistas Eléctricos, Contratistas de Calefacción y Enfriamiento, y Contratistas de Plomería”).



Corte de una abertura en el cielo raso

- Antes de proceder:** Usted debe tener una ubicación que:
- A) Esté libre de peligros y obstrucciones en el espacio superior.
 - B) Esté libre de peligros en el cielo raso.
 - C) Proporcione suficiente espacio para la instalación.
 - D) Proporcione suficiente espacio para utilizar la escalera de ático.

Objetivo: Cortar una abertura, que tenga el tamaño correcto, en el cielo raso en la ubicación deseada.

- PASO 1. Prepare el sitio moviendo los muebles, cubriendo el piso con una tela anti-salpicaduras y, llevando los niños y mascotas a una distancia segura.
- PASO 2. Colóquese gafas de seguridad y una mascarilla contra polvo. Estos elementos evitarán que partículas del cielo raso y polvo caigan en sus ojos, boca o nariz a medida que usted realiza un orificio de inicio y corte dentro del cielo raso.
- PASO 3. Con un martillo y cincel, realice un orificio de inicio cerca del centro de la ubicación elegida (Vea la Figura 4).
- PASO 4. Agrande la abertura con una sierra hasta que usted pueda ver una viga (Vea la Figura 5).
- PASO 5. Dibuje sobre el cielo raso un rectángulo del tamaño de la abertura preliminar, con un borde paralelo a una viga (Vea la Figura 6). Usted podría hacer esto aserrando hasta que usted alcance una viga, y utilícelo como un marco de referencia. (El tamaño de la abertura preliminar debe ser de 0.46m x 0.61m como mínimo).

Nota: Ubicar al menos un borde de la abertura a lo largo de una viga del cielo raso permitirá utilizar la viga como un lado del marco que usted construirá. Esto simplificará la enmarcación de la abertura preliminar.

- PASO 6. Corte el resto del cielo raso dentro del trazo marcado siguiendo estas instrucciones:
- A) No corte ninguna viga en este momento. Corte únicamente a través del cielo raso.
 - B) Remueva el cielo raso en pequeños pedazos ya que el material del cielo raso puede ser muy pesado.
- PASO 7. Si ninguna viga atraviesa la abertura en el cielo raso, vaya a la Sección 1.5 “ENMARCADO DE LA ABERTURA PRELIMINAR”.
- Si alguna viga atraviesa la abertura, vaya a la Sección 1.4 “CORTE DE VIGAS DEL CIELO RASO”.

⚠ ADVERTENCIA:

NO serruche, corte, ni martille dentro del cielo raso hasta que usted esté seguro que la ubicación está libre de peligros y obstrucciones en el cielo raso y el ático. El contacto con un cable eléctrico puede ser mortal.

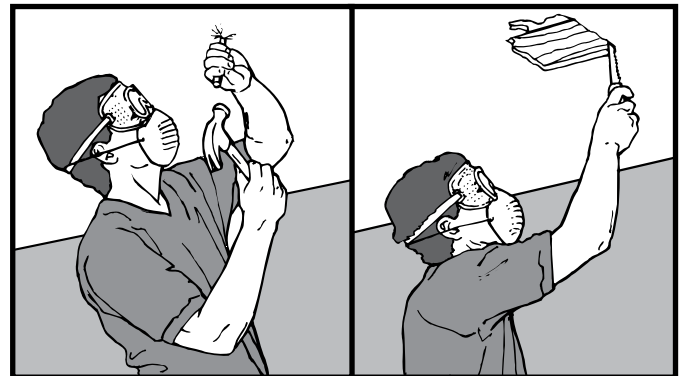


Figura 4

Figura 5

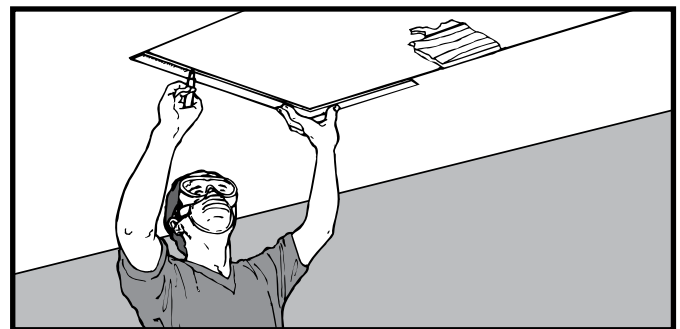


Figura 6

Corte de una abertura en el cielo raso

Antes de proceder: Usted debe tener vigas expuestas o una abertura de dimensión correcta en la ubicación deseada en el cielo raso.

Objetivo: Cortar cualquier viga que esté en el camino de su ubicación elegida. **Antes de cortar las vigas, usted debe sujetarlas a otras vigas en el ático superior para evitar que el cielo raso se combe o colapse completamente.**

PASO 1. Si el sitio tiene un cielo raso y usted ha cortado la abertura requerida, vaya al Paso 2.

Si el sitio no tiene un cielo raso, usted deberá marcar las vigas de acuerdo con los literales (A) o (B) siguientes.

(A) Si la ubicación elegida es paralela a las vigas, marque la longitud de la abertura preliminar en la parte superior de las vigas (Vea la Figura 7).

No corte la viga en esta marca.

(B) Si la ubicación elegida es perpendicular a las vigas, marque el ancho de la apertura preliminar en la parte superior de las vigas (Vea la Figura 8).

No corte la viga en esta marca.

PASO 2. Corte 2 tablas de tamaño de viga lo suficientemente largas para abarcar 2 vigas en cada lado de su ubicación elegida (Vea la Figura 9). Estas tablas soportarán las vigas que serán cortadas y ayudarán a evitar que el cielo raso se combe o colapse completamente mientras usted está trabajando en el espacio superior.

PASO 3. Coloque estas tablas a aproximadamente 24 pulgadas del borde de su ubicación elegida y clávelas (Vea la Figura 9).

Nota: La distancia de 24 pulgadas es necesaria para darle espacio a usted para martillar los clavos dentro del marco que usted construirá en la siguiente sección.

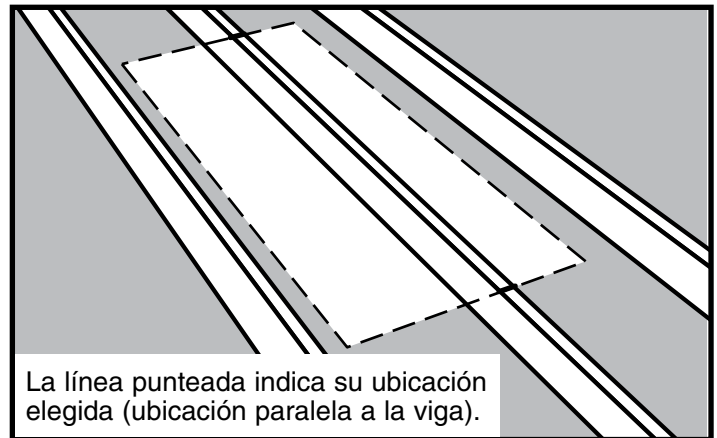


Figura 7

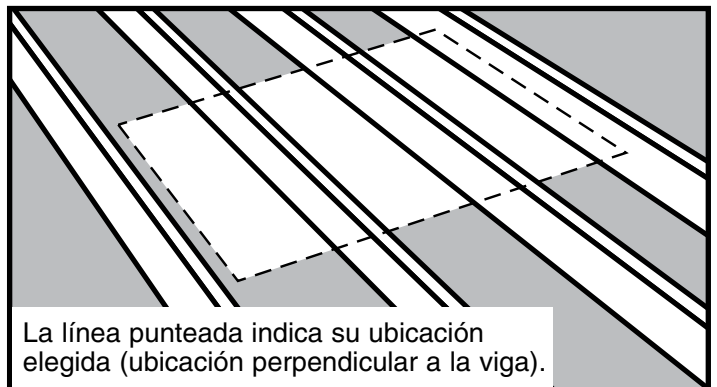


Figura 8

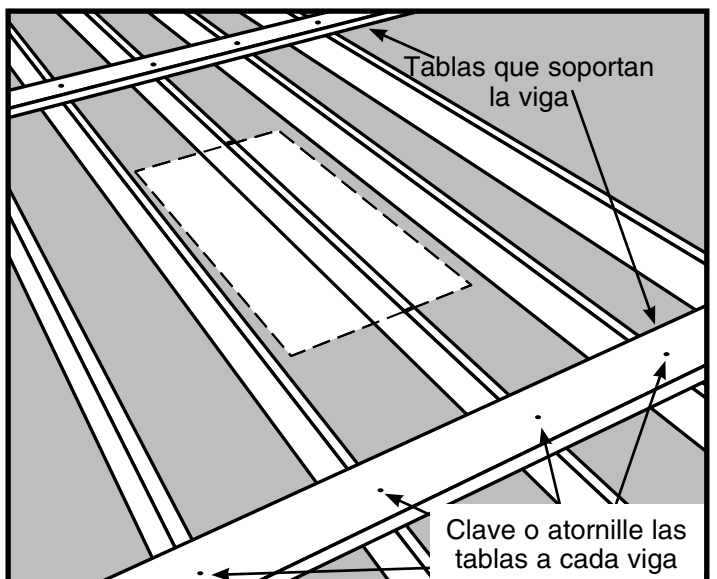


Figura 9

Corte de las vigas del techo

PASO 4. Luego, determine dónde debe cortarse la viga(s). La Figura 10 muestra dónde marcar la viga(s) que atraviesa su ubicación elegida. Observe que la viga(s) debe marcarse detrás del borde de su ubicación a una distancia de 2 veces el espesor de la viga (usualmente 3 pulgadas). Esto deja espacio para colocar dos travesaños del tamaño de viga contra cada extremo de la viga(s) cortada, (Vea la Figura 16 en la página 18).

Nota: En algunas casas, especialmente las viejas, las vigas pueden ser levemente más gruesas que la madera que usted puede comprar actualmente. Si sus vigas tienen un espesor diferente que la madera que usted utilizará para los travesaños, usted deberá marcar las vigas detrás del borde de su ubicación a una distancia de dos veces el espesor del travesaño en vez del espesor de la viga.

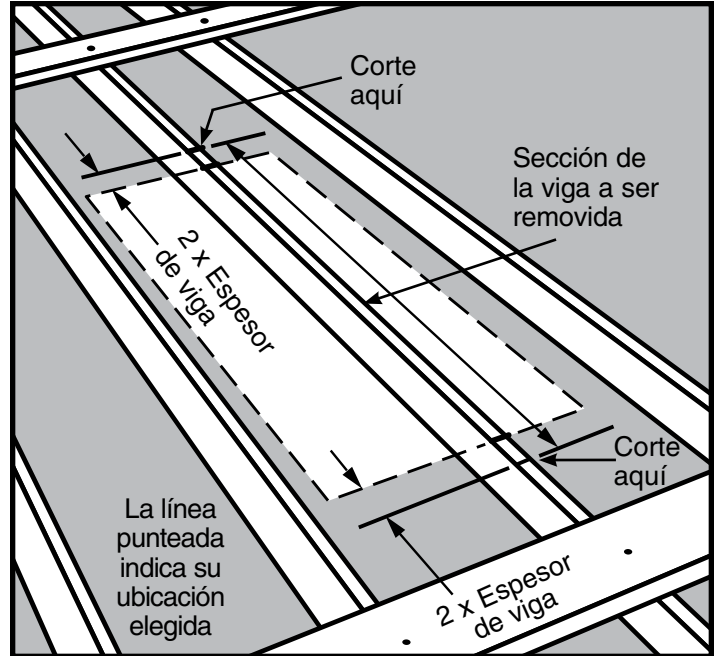


Figura 10

PASO 5. Serruche a través de la viga(s) teniendo cuidado de no cortar a través del cielo raso y asegurándose que los extremos de corte de la viga(s) son planos y verticales.

Sección 1.5

Enmarcado de la abertura preliminar

Antes de proceder: Usted debería tener un espacio entre vigas de al menos 0.46m. Cualquier viga cortada debe sujetarse a las vigas no-cortadas.

Objetivo: Crear un marco de cuatro lados del tamaño de la abertura preliminar utilizando madera de tamaño de viga. Este marco se construirá de travesaños o travesaños longitudinales de espesor sencillo o doble dependiendo de la instalación en particular. El marco es necesario para soportar la escalera de ático y para reforzar la estructura del techo y el cielo raso.



ADVERTENCIA:

POR SU SEGURIDAD, TENGA CUIDADO CON LOS PELIGROS SOBRE SU CABEZA.

NO se pare ni siente sobre el cielo raso o el aislamiento que cubre el cielo raso – el cielo raso no está hecho para soportar su peso. ¡Usted puede caer a través del cielo raso aun cuando éste parezca firme! Sólo las vigas pueden soportar el peso. Para evitar caer a través del cielo raso, usted podría fabricar una plataforma de trabajo tendiendo tablas transversalmente en las vigas. Tenga cuidado con clavos filosos clavados a través del techo.

Enmarcado de la abertura preliminar

Instalación de travesaños

Si no se han cortado vigas, vaya al siguiente capítulo "Travesaños sencillos"

Si se ha cortado alguna viga, vaya al capítulo "Travesaños dobles" en la página 18.

Travesaños sencillos

PASO 1. Mida la longitud "H" de travesaño entre las vigas (Vea la Figura 11).

PASO 2. Corte 2 travesaños con esta longitud. Utilice madera de tamaño de viga.

PASO 3. Coloque uno de estos travesaños en un extremo de su ubicación elegida (Vea la Figura 12). El travesaño debe encajar ajustadamente entre las vigas. Martille para colocarlo en su posición si es necesario; si el travesaño tiene 1.6mm de más, recórtelo. Si tiene 1.6mm de menos, corte otra pieza.

PASO 4. Coloque en ángulo recto el travesaño en una viga y clave 3 clavos (16d) a través de la viga y dentro del travesaño. Revise en cuanto a ángulo recto y clave 3 clavos (16d) a través de la otra viga y dentro del travesaño (Vea la Figura 12). Es muy importante que la tabla de travesaño esté en ángulo recto verticalmente y también en ángulo recto horizontalmente con respecto a las vigas laterales.

PASO 5. Posicione el segundo travesaño a una distancia mínima de 0.61m del primer travesaño y repita el Paso 4 (Vea la Figura 13).

PASO 6. El marco para la abertura preliminar requiere cuatro lados. Los travesaños conforman dos de estos lados. Si las vigas de su cielo raso están espaciadas de modo que estas conforman los otros dos lados de la abertura preliminar, revise la abertura en cuanto a ángulo recto midiendo transversalmente las diagonales. Las mediciones no deben diferir en más de 3mm para considerarse en ángulo recto (Vea la Figura 13).

Si las vigas de su cielo raso no conforman los otros dos lados de la abertura preliminar, usted debe instalar una o dos piezas adicionales de madera para enmarcar el otro lado(s) de la abertura preliminar, vaya a "Instalación de los travesaños longitudinales" en la página 19.

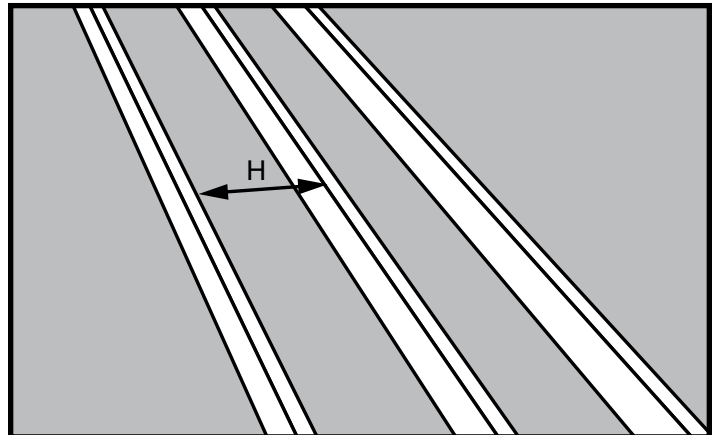


Figura 11

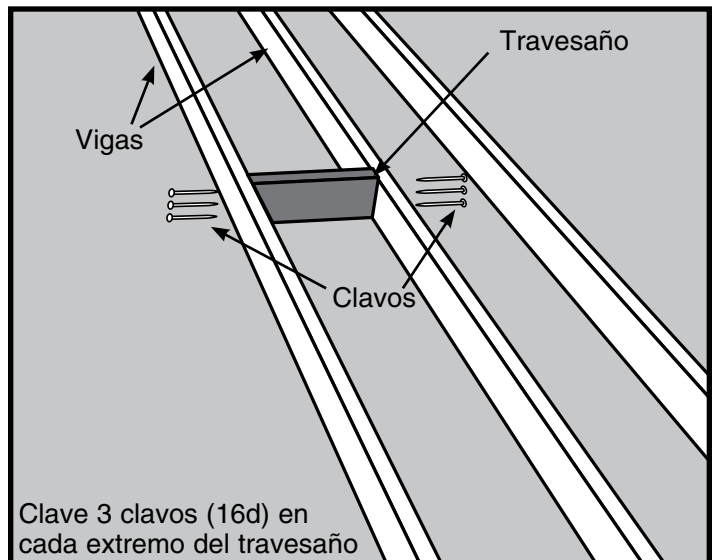


Figura 12

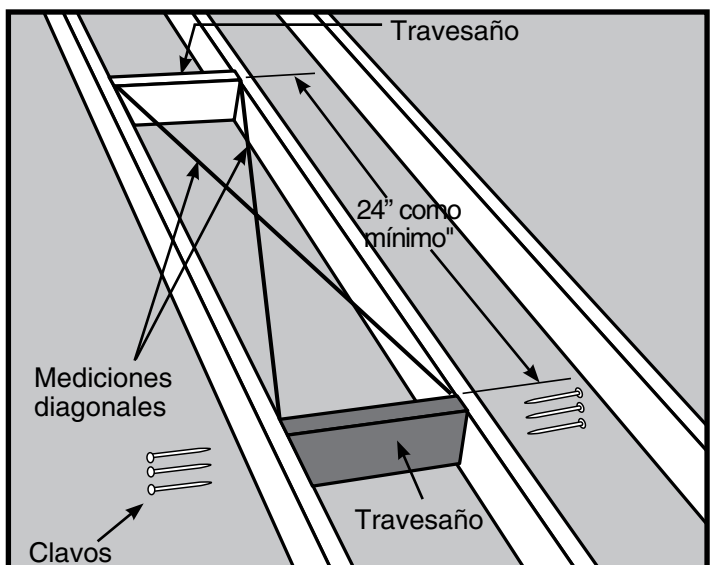


Figura 13 Cómo verificar los ángulos rectos (perpendicularidad)

Enmarcado de la abertura preliminar

Travesaños dobles

- PASO 1. Mida la longitud "H" del travesaño entre las vigas no-cortadas (Vea la Figura 14).
- PASO 2. Corte 4 travesaños con esta longitud. Utilice madera de tamaño de viga.
- PASO 3. Coloque uno de estos travesaños contra el extremo de la viga(s) cortada (Vea la Figura 15). Éste debe encajar ajustadamente entre las vigas no-cortadas. Martille para colocarlo en su posición si es necesario; si el travesaño tiene 1/16" de más, recórtelo. Si tiene 1/16" de menos, corte otra pieza.
- PASO 4. Coloque en ángulo recto el travesaño en la viga no-cortada(s) y clave con 3 clavos el travesaño al extremo de la viga(s) cortada (Vea la Figura 15).
- PASO 5. Verifique el travesaño en cuanto a ángulo recto, luego clave 3 clavos a través de cada viga dentro de cada extremo del travesaño (Vea la Figura 15).
- PASO 6. Coloque un segundo travesaño contra el primer travesaño y clávelo al primer travesaño con 3 clavos entre cada viga (Vea la Figura 16).
- PASO 7. Clave 3 clavos a través de las vigas dentro de cada extremo del segundo travesaño (Vea la Figura 16).
- PASO 8. Repita los pasos 3 al 7 para instalar travesaños en el extremo opuesto de la abertura.
- PASO 9. Para enmarcar el otro lado(s) de la abertura preliminar, vaya a "Instalación de Travesaños Longitudinales" en la página 19.

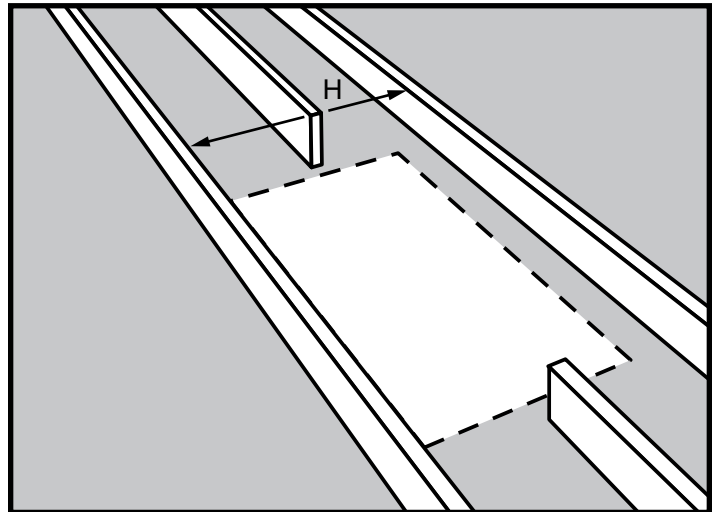


Figura 14

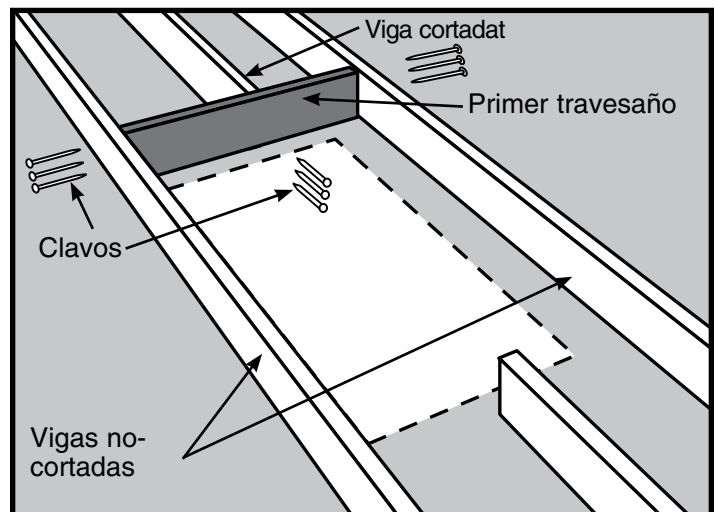


Figura 15

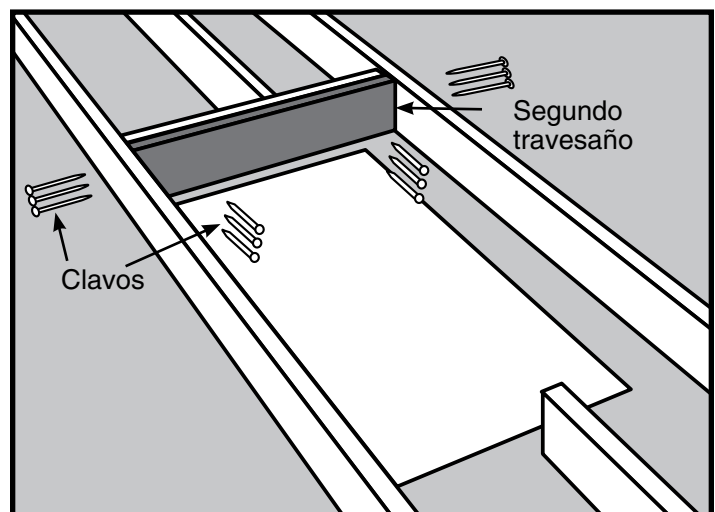


Figura 16

Enmarcado de la abertura preliminar

Instalación de travesaños longitudinales

- PASO 1. Mida la longitud "S" del travesaño longitudinal entre los travesaños (Vea la Figura 17).
- PASO 2. Corte un travesaño longitudinal con esta longitud. Utilice madera de tamaño de viga.
- PASO 3. Si la viga de cielo raso no proporciona un lado del marco, entonces corte un segundo travesaño longitudinal con la misma longitud del primer travesaño longitudinal. Observe que sólo se necesita un travesaño longitudinal en la Figura 17 porque la viga del cielo raso proporciona un lado del marco.
- PASO 4. Posicione el travesaño(s) longitudinal a lo largo del lado(s) sin marco de su ubicación (Vea la Figura 18). Verifique que las dimensiones interiores del marco son de 0.46m x 0.61m como mínimo.
- PASO 5. Para sujetar el travesaño(s) longitudinal a los travesaños, utilice clavos que sean lo suficientemente largos para atravesar ambos travesaños y dentro del travesaño longitudinal en al menos 1 pulgada. En la mayoría de los casos, un clavo (20d) de 4" será lo suficientemente largo. Coloque en ángulo recto el travesaño(s) longitudinal en los travesaños, en un extremo, y clave 3 clavos a través de los travesaños y dentro del travesaño longitudinal.
- Revise en cuanto a ángulo recto, luego clave el otro extremo. Revise la abertura preliminar en cuanto a ángulo recto midiendo transversalmente las diagonales. Las dos mediciones no deben diferir en más de 1/8" para considerarse en ángulo recto (Vea la Figura 18).

Nota: Se requiere una profundidad mínima de 19mm en el piso de madera a lo largo de 0.69m en todo el ancho de su abertura para la sujeción del brazo de ayuda. Por favor consulte el Paso 5 en la página 6 de este manual para instrucciones sobre la sujeción del brazo de ayuda.

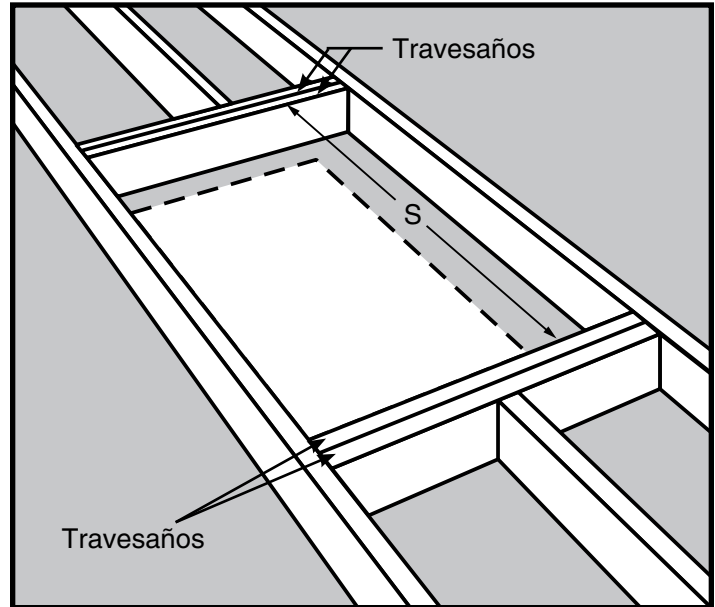


Figura 17

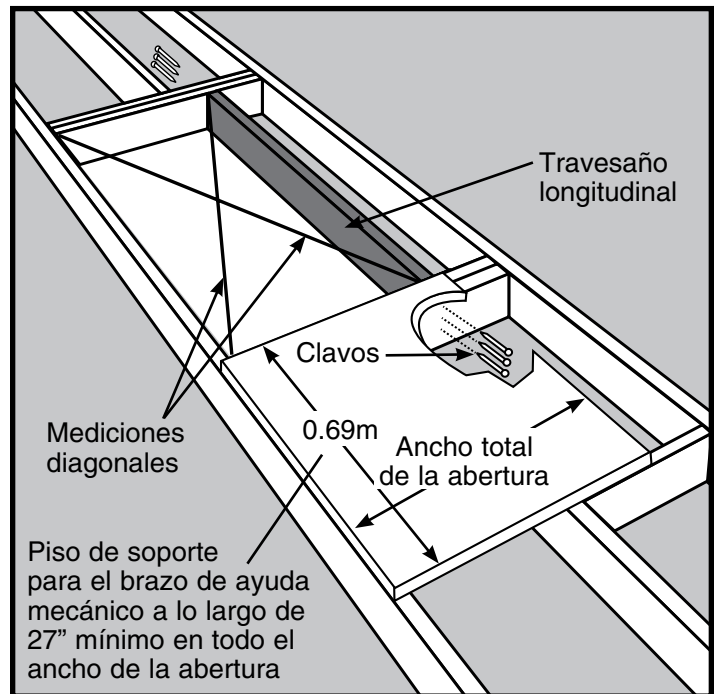


Figura 18

Échelle de Grenier Compacte

EN ALUMINIUM

PRÉVUE POUR DES OUVERTURES DE GRENIER ÉTROITES

Table des matières

		Page
	Avant de commencer	2
	Questions importantes	3
Étape 1	Assemblage de l'échelle	3
Étape 2	Fixation d'arrêts additionnels en haut	4
Étape 3	Fixation d'arrêts en bas	5
Étape 4	Installation de l'échelle	5
Étape 5	Installation du bras d'aide	6
Étape 6	Ensemble de rampe	7
Étape 7	Finition de l'ouverture pour la trappe	7
Étape 8	Accrochage de la trappe	8
Étape 9	Localisation du trou pour le verrou de porte	8-9
Étape 10	Fixation de l'étrier de position	9
Étape 11	Utilisation de l'échelle	10
Annexe	Création d'une ouverture brute	11
Section 1.1	Questions importantes	11
Section 1.2	Outils et matériaux nécessaires	12
Section 1.3	Recherche de l'emplacement convenable	13
Section 1.4	Découpe d'un trou dans le plafond	14-16
Section 1.5	Encadrement de l'ouverture brute	16-19

Avant de commencer

OUTILS NÉCESSAIRES

ESCABEAU
 POINÇON
 SCIE
 PERCEUSE ET FORETS DE
 1/2" ET 1/16"
 GROS TOURNEVIS PLAT
 TOURNEVIS PHILLIPS
 (petit et moyen)
 CLÉ À MOLETTE/PINCES
 MÈTRE À RUBAN/RÈGLE
 MARTEAU
 CRAYON

MATÉRIEL NÉCESSAIRE POUR LA TRAPPE

ASSUREZ-VOUS D'UTILISER DU CONTREPLAQUÉ DE 3/4" DE
 QUALITÉ POUR MEUBLES.
 BOIS PLEIN DE 1 X 3 POUR L'HUISSERIE DE TRAPPE
 BOIS PLEIN DE 1 X 2 POUR LE RAIDISSEUR DE TRAPPE

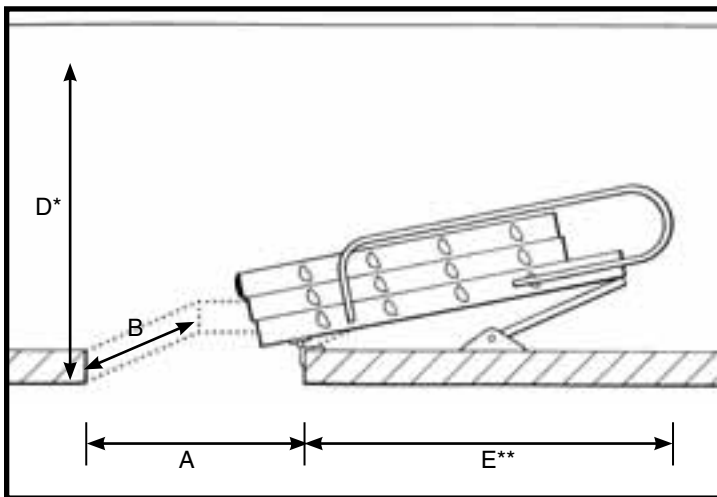
**AU DÉBUT DE CHAQUE ÉTAPE DE CE MANUEL
 D'INSTRUCTIONS, LES ATTACHES ET COMPOSANTS
 NÉCESSAIRES SERONT LISTÉS.**

**SI DES PIÈCES QUELCONQUES MANQUENT OU SONT
 CASSÉES, VEUILLEZ CONTACTER LE SERVICE À LA
 CLIENTÈLE AU 1-877-553-7004.**

Échelle de grenier compacte

A	Minimum d'ouverture finie (Longueur)	0.53m
B	Minimum d'ouverture finie (Largeur)	0.38m
C	Maximum de hauteur	3.00m
	Minimum de hauteur	2.13m
D*	Hauteur minimale pour mise en place nécessaire dans le grenier	0.72m
E**	Longueur minimale nécessaire derrière l'ouverture brute	1.12m

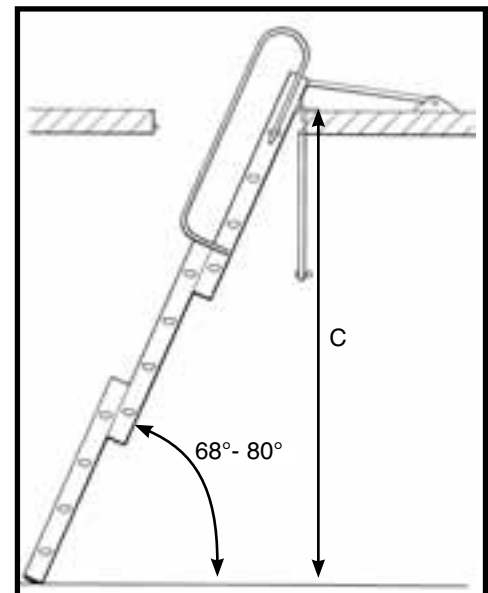
Besoins échelle fermée



*À position basse de rampe - 28"
 *À position haute de rampe - 38"

*À position basse de rampe - 44"
 *À position haute de rampe - 54"

Besoins échelle ouverte



Questions importantes

Lisez complètement les instructions avant de commencer. C'est nécessaire pour assurer que vous avez un emplacement convenable pour l'échelle de grenier, et la capacité de l'installer correctement et sans risques.

Êtes-vous capable d'installer cette échelle de grenier?

Pour installer votre échelle de grenier vous devez avoir des talents pour scier, mettre d'équerre et aligner, similaires à ceux nécessaires pour installer une fenêtre ou un encadrement de porte. Si vous n'avez pas ces talents vous devez embaucher un charpentier professionnel pour installer ce dispositif (consultez les Pages Jaunes aux rubriques : entrepreneurs en bâtiment, charpentiers, constructeurs ou rénovateurs d'habitations, etc.).

Cette échelle de grenier répond-elle à vos besoins?

Cette échelle de grenier est pour une utilisation résidentielle uniquement. L'installation de cette échelle de grenier dans des bâtiments ou appartements commerciaux peut être une infraction aux normes de construction qui exigent des plafonds classés comme résistant au feu, et interdisent d'entreposer des matériaux dans l'espace au-dessus. Vérifiez auprès de votre chef du service incendie local ou du département de la construction avant d'installer l'échelle de grenier.

La capacité de l'échelle de grenier (personne plus matériaux transportés) est de 113 kilogrammes.

L'échelle de grenier est prévue pour la plage de hauteurs de plafonds indiquée sur l'emballage. N'installez pas l'échelle de grenier dans un plafond dont la hauteur est en dehors de cette plage. L'altération de l'échelle de grenier pour l'adapter à d'autres hauteurs est dangereuse et ne doit jamais être essayée.

CETTE ÉCHELLE DE GRENIER EST LIVRÉE AVEC DES CHARNIÈRES ET UN VERROU POUR INSTALLER UNE TRAPPE (NON INCLUSE). POUR MODIFIER UNE OUVERTURE OU EN CRÉER UNE NOUVELLE, VEUILLEZ VOUS RÉFÉRER À L'ANNEXE (PAGE 11).

Étape 1

Assemblage de l'échelle

OUTILS NÉCESSAIRES

MARTEAU

PIÈCES NÉCESSAIRES

B1. (1) GUIDE DE CHARNIÈRE - GAUCHE
B2. (1) GUIDE DE CHARNIÈRE - DROITE



Pour une identification correcte, la section frontale de l'échelle peut se reconnaître à ses pieds arrondis.

1. Écartez avec soin les arrimages (frappez légèrement au marteau si nécessaire) et enlevez les capuchons d'extrémité en plastique du bas de la section ARRIÈRE de l'échelle (Voir la Figure A).
2. Glissez les guides de charnière (B1 et B2) sur la section d'ossature la plus haute. Les supports doivent être positionnés vers l'extérieur avec la moitié à deux trous la plus haute (Voir la Figure B).
3. Faites-les glisser jusqu'en haut jusqu'aux arrêts supérieurs permanents à une autre extrémité de section.
4. Ne remplacez pas les capuchons d'extrémité en plastique (Voir plus loin à l'Étape 3 – Fixation des arrêts du bas).

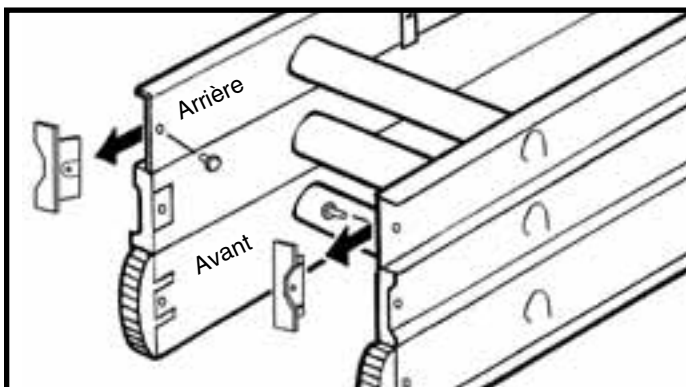


Figure A

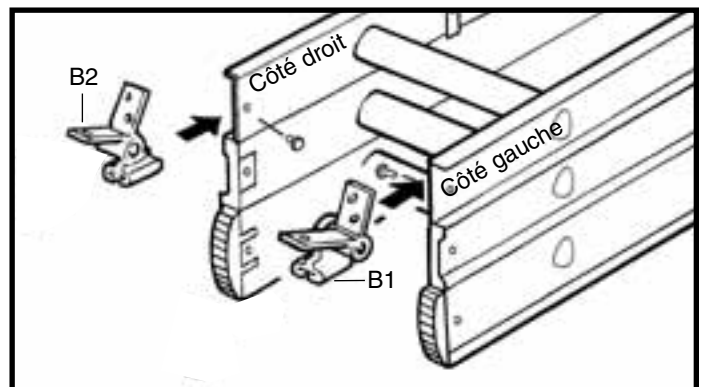
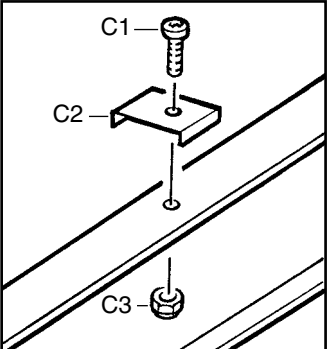


Figure B

Fixation d'arrêts additionnels en haut

<p>OUTILS NÉCESSAIRES CLÉ À MOLETTE/PINCES</p>	<p>PIÈCES NÉCESSAIRES C1. (2) BOULONS D'ARRÊT DU HAUT M4 X 8 mm C2. (2) ARRÊTS DU HAUT ADDITIONNELS C3. (2) CONTRE-ÉCROUS M4</p>	
---	---	---

Besoins échelle ouverte

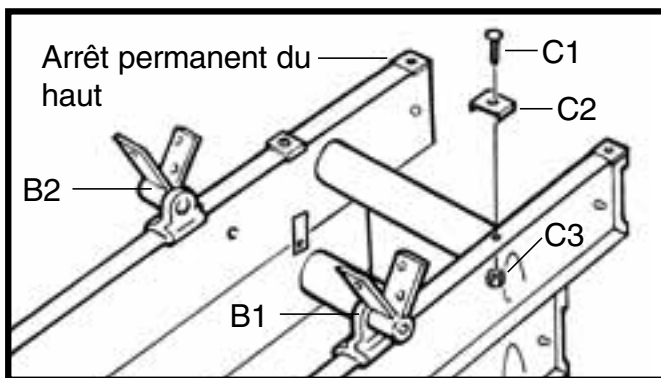
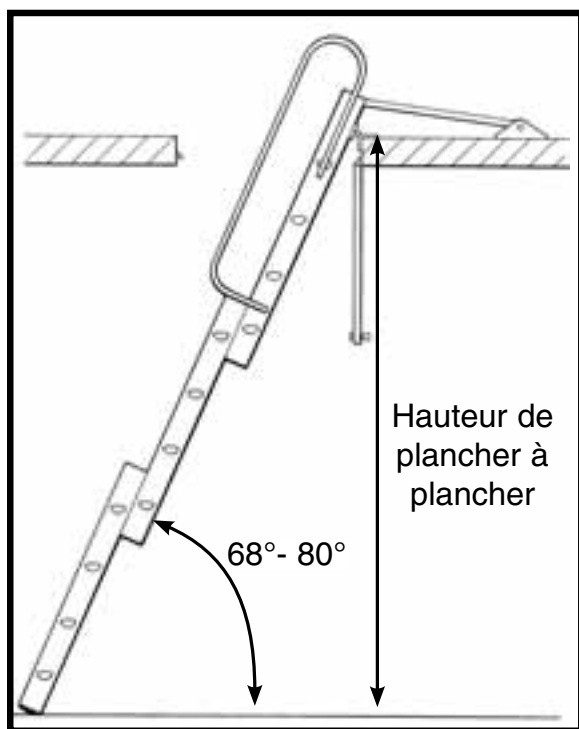


Figure C

Suivant la hauteur de plafond à plafond (Voir les Besoins échelle ouverte à gauche), vous pouvez avoir besoin d'ajouter les arrêts additionnels C2 du haut fournis (Voir le tableau ci-dessous).

1. Si nécessaire, positionnez les arrêts additionnels du haut par-dessus les trous à environ 15 cm sous les arrêts permanents du haut de la section arrière de l'échelle (Voir la Figure C).
2. Assurez-vous que les guides de charnière (B1 et B2) sont déjà en place et en-dessous des arrêts additionnels du haut quand vous les montez.
3. Fixez les arrêts additionnels du haut en utilisant les boulons M4 et les écrous fournis (C1 et C3).

Hauteurs de fonctionnement	
Pieds et pouces	Arrêts du haut nécessaires
2.13m à 2.28m	OUI
2.28m à 2.41m	NON
2.41m à 2.57m	OUI
2.57m à 2.71m	NON
2.71m à 2.84m	OUI
2.84m à 3.00m	NON

Étape 3

Fixation d'arrêts en bas

OUTILS NÉCESSAIRES

GROS TOURNEVIS PLAT
TOURNEVIS PHILLIPS
(petit et moyen)
MARTEAU

PIÈCES NÉCESSAIRES

D1. (2) ARRÊTS DU BAS
D2. (4) VIS DE 12 MM



1. Les deux capuchons d'extrémité doivent maintenant avoir été enlevés de la section arrière durant l'Étape 1 précédente. Enlevez le capuchon d'extrémité du montant de section arrière (sur le même côté prévu pour fixer le bras d'aide).
2. Faites coulisser les arrêts du bas (D1) sur les montants arrière.
3. Positionnez les arrêts du bas à 15 cm de l'extrémité des montants (Voir la Figure D).
4. Fixez-les avec des vis (D2).
5. Remettez en place les capuchons d'extrémité en plastique enlevés précédemment, et fixez-les avec des arrimages.

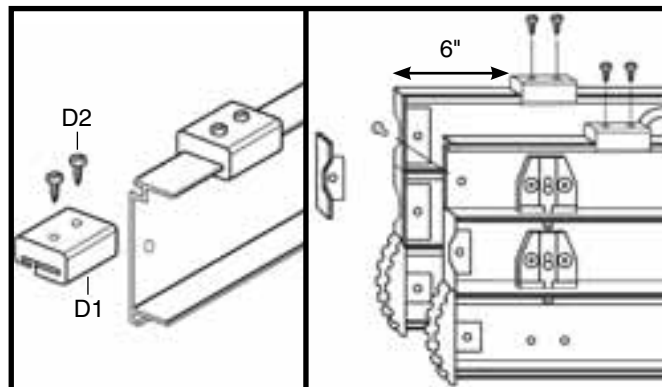


Figure D

Étape 4

Installation de l'échelle

OUTILS NÉCESSAIRES

ESCABEAU
PERCEUSE AVEC FORET DE 1/16"
GROS TOURNEVIS PLAT
(petit et moyen)
CRAYON

PIÈCES NÉCESSAIRES

B1. (1) GUIDE DE CHARNIÈRE - GAUCHE
B2. (1) GUIDE DE CHARNIÈRE - DROITE
B3. (6) VIS DE 35 mm

Un plancher d'au moins 1.9 cm est nécessaire pour supporter une échelle de grenier compacte (Voir l'Annexe, Page 19, Figure 18). L'échelle doit être installée du même côté que celui de l'ouverture où sont situés les guides de charnière.

1. Avec l'échelle centrée dans l'ouverture, placez les pattes de support de guide de charnière (B1 et B2) sur le bord supérieur de l'encadrement d'ouverture (Voir la Figure E).
2. Marquez les trous de guides avec un crayon puis percez des avant-trous (de diamètre 1/16") pour toutes les vis.
3. Fixez-les en utilisant des vis de 35 mm (B3).

Les pattes de support avec deux trous doivent être au-dessus.

Si un revêtement de sol recouvre le bord supérieur de l'ouverture, assurez-vous que l'échelle est bien stable. Si nécessaire utilisez alors des vis plus longues pour pénétrer dans l'encadrement lui-même.

L'échelle doit être maintenant à même de pivoter depuis les charnières et de glisser librement vers le haut et le bas le long des guides.

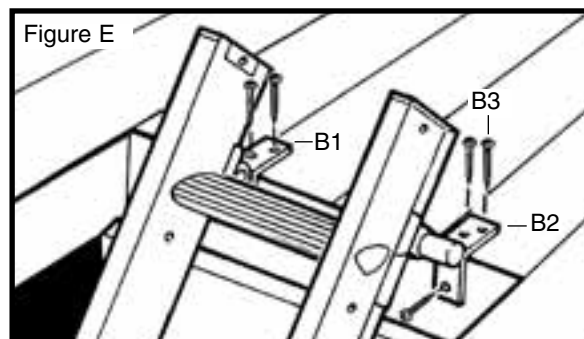


Figure E



AVERTISSEMENT :

NE vous tenez PAS sur l'échelle pour le faire.
Avec soit une deuxième échelle, soit depuis l'espace du grenier, fixez les charnières en utilisant six vis de 35 mm fournies.

Installation du bras d'aide

OUTILS NÉCESSAIRES

POINÇON
GROS TOURNEVIS PLAT
TOURNEVIS PHILLIPS
(petit et moyen)
CLÉ À MOLETTE/PINCES

PIÈCES NÉCESSAIRES

F1. (1) PIVOT À RESSORT
F2. (1) CACHE DE CARTER
F3. (6) VIS DE 20 mm
F4. (1) EMBOUT DE PIVOT
F5. (1) ÉCROU M6 x 40 mm
F6. (2) RONDELLES EN PLASTIQUE
F7. (1) CONTRE-ÉCROU M6
F8. (1) ÉCROU BORGNE
F9. (1) GABARIT DE PERÇAGE DE BASE
[AU VERSO DE LA CARTE D'EMBALLAGE]

1. Positionnez le gabarit découpé (du verso de la carte d'emballage) contre le support de guide de charnière soit de gauche soit de droite (selon le choix du côté où sera installé le système de pivot à ressort).
2. En utilisant un poinçon ou un crayon, marquez les trous applicables au travers du gabarit sur le plancher du grenier (Voir la Figure G).
3. Placez le carter de ressort (F1) en position par-dessus les trous en veillant à ce que les points de bras soient À L'OPPOSÉ de l'ouverture brute (avec le cache de carter du côté gauche) (Voir la Figure G).
4. Fixez le carter de ressort sur le plancher du grenier avec des vis de 20 mm (F3) au travers des 4 trous intérieurs (Voir la Figure G).
5. Placez le cache de carter (F2) sur le carter de ressort et fixez-le avec des vis de 20 mm (F3) au travers des deux trous extérieurs qui restent (Voir la Figure G).
6. Positionnez l'échelle dans sa position complètement repliée (fermée) avec soin dans l'ouverture.
7. Enlevez l'arrimage et le capuchon en plastique du haut de montant latéral nécessaire sur la section arrière de l'échelle, et jetez-les (Voir la Figure H).
8. À leur place fixez un embout de pivot F4 (Voir la Figure H).
9. Placez les plaques de liaison de bras à ressort sur chaque côté de l'embout de pivot F4/montant d'échelle, et alignez tous les trous.
10. Fixez le montant aux plaques de liaison en utilisant un boulon (F5), des rondelles (F7 et F8) (Voir la Figure I).

Assurez-vous que le boulon (F5) et l'écrou (F7) sont suffisamment serrés pour permettre à la liaison de tourner librement sans aucune mollesse.

NE serrez **PAS** excessivement l'écrou car cela freinerait un fonctionnement fluide du système d'échelle.

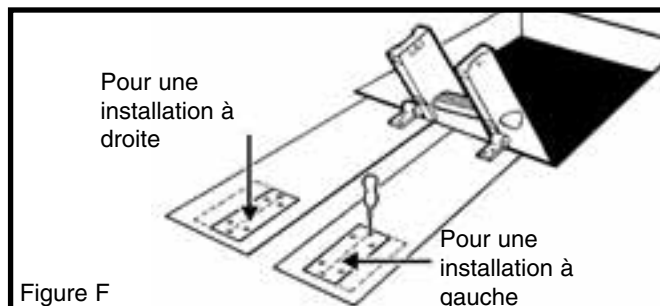


Figure F

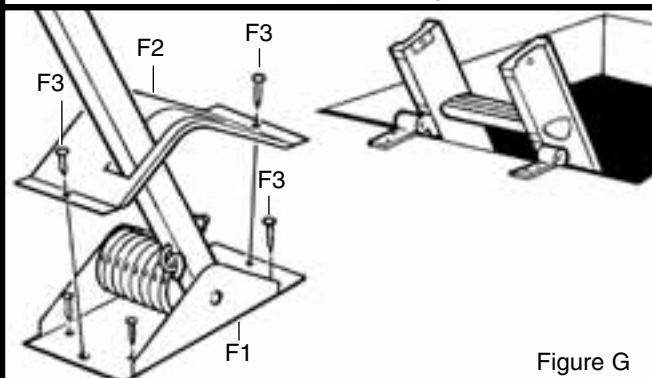


Figure G

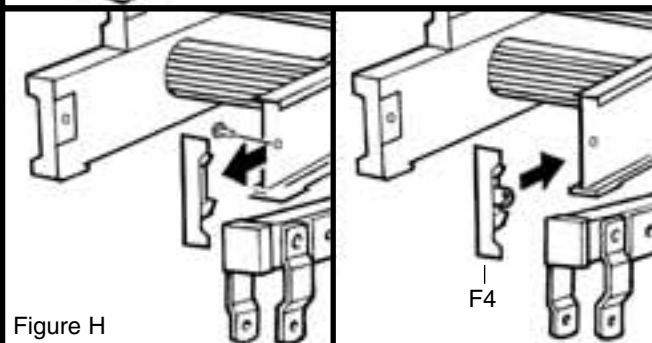


Figure H

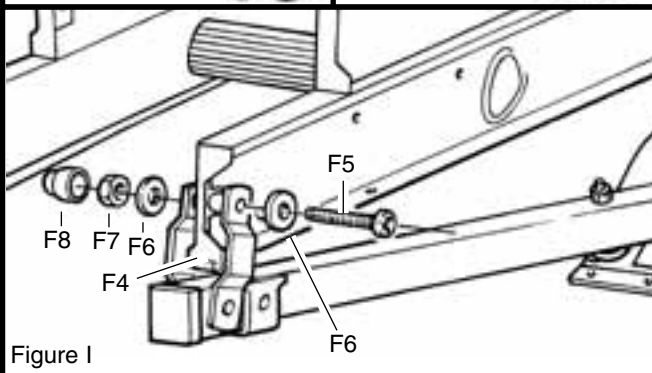


Figure I

Étape 6

Ensemble de rampe

OUTILS NÉCESSAIRES

CLÉ À MOLETTE/PINCES

PIÈCES NÉCESSAIRES

E1. (3) ESPACEURS DE RAMPE
E2. (3) BOULONS M6 x 60 mm
E3. (3) RONDELLES Ø 25 mm
E4. (3) CONTRE-ÉCROUS M5

La rampe peut se monter de n'importe quel côté de l'échelle. Il est conseillé de monter la rampe seulement après avoir fixé le bras de pivot à ressort.

1. Fixez la rampe du côté que vous avez choisi de la structure arrière (Voir la Figure J).
2. Utilisez 3 espaceurs (E1), des boulons de 60 mm (E2), des rondelles et des écrous (E3 et E4) qui sont fournis.
3. Vous avez le choix entre deux hauteurs différentes de rampe qui peuvent dépendre de la quantité de rampe que vous désirez être à l'intérieur du grenier (Voir la Figure J).

Vérifiez que tous les composants de l'ensemble complet sont bien serrés.

*Position 1 de fixation de rampe en position haute.

*Position 2 de fixation de rampe en position basse.

Remarque : La position de la rampe va affecter la quantité d'espace nécessaire dans le grenier.

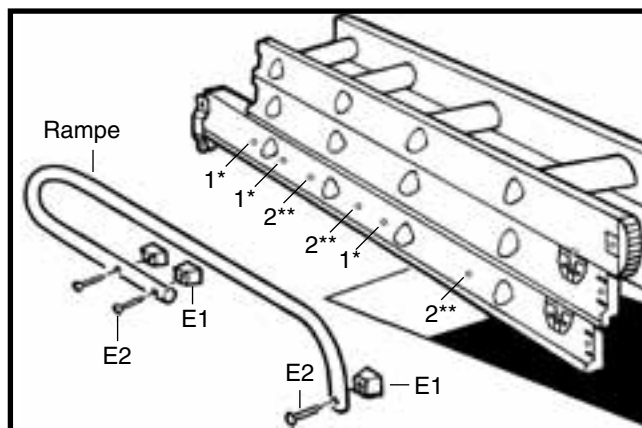
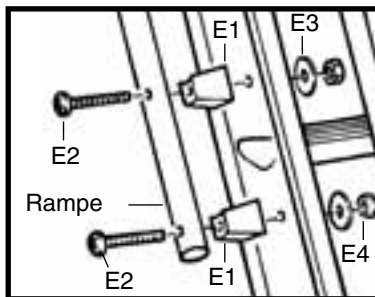


Figure J

Étape 7

Finition de l'ouverture pour la trappe

OUTILS NÉCESSAIRES

SCIE
VIS / CLOUS
TOURNEVIS PHILLIPS (petit et moyen)

PIÈCES NÉCESSAIRES

Bois plein de 1 x 3 standard (huisserie de trappe)
Bois plein de 1 x 2 standard (encadrement de trappe)
Votre choix de bois de finition

Utilisez du bois plein 1 x 3 standard pour l'huisserie de trappe, et du bois plein de 1 x 2 standard pour son raidisseur.

1. Mesurez la largeur de l'ouverture et coupez en conséquence le morceau de bois de 1 x 3. Clouez-le, une fois raccourci, à la mesure sur le chevêtre. Le bas de l'encadrement de trappe en bois doit être de niveau avec la cloison sèche de plafond. Faites la même chose sur la longueur de l'ouverture (Figure K).
2. Mesurez la largeur de l'ouverture et coupez en conséquence le morceau de bois de 1 x 2. Clouez-le, une fois raccourci, à la mesure sur l'encadrement en bois en retrait de l'épaisseur de la trappe pour créer le raidisseur de trappe. Faites la même chose sur la longueur de l'ouverture (Figure L).

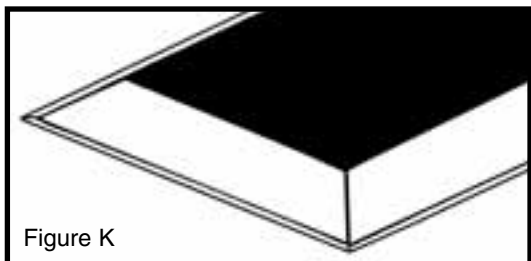
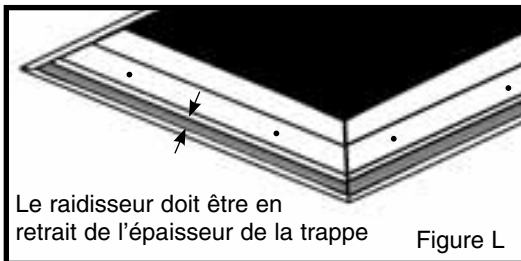


Figure K



Le raidisseur doit être en retrait de l'épaisseur de la trappe

Figure L

Attention : L'utilisation de matériaux d'une épaisseur plus importante que la recommandation peut rendre l'ouverture trop petite pour être utilisable.

Étape 8

Accrochage de la trappe

OUTILS NÉCESSAIRES

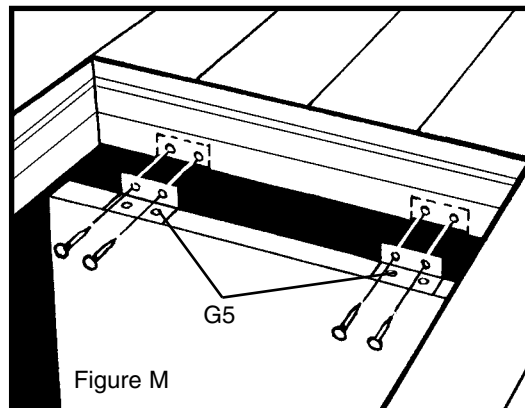
GROS TOURNEVIS PLAT
TOURNEVIS PHILLIPS (petit et moyen)

PIÈCES NÉCESSAIRES

G5. (2) CHARNIÈRES DE TRAPPE
(8) VIS À BOIS DE 3/4"

L'épaisseur de trappe doit faire 3/4" en contreplaqué de qualité pour mobilier, coupé 1/8" plus petit que l'ouverture de l'encadrement en bois (résultant de l'étape 7 - Finition de l'ouverture pour la trappe).

1. Vissez des charnières (G5) sur un bord de la trappe en utilisant des vis à bois de 3/4".
2. Fixez les charnières sur la face de l'encadrement du même côté où vous avez installé l'échelle, en utilisant des vis à bois de 3/4" (Voir la Figure M).



Étape 9

Localisation du trou pour le verrou de porte

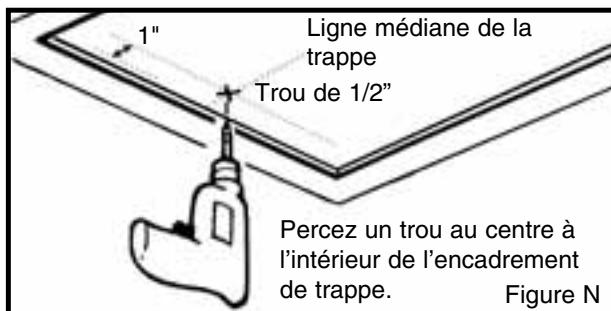
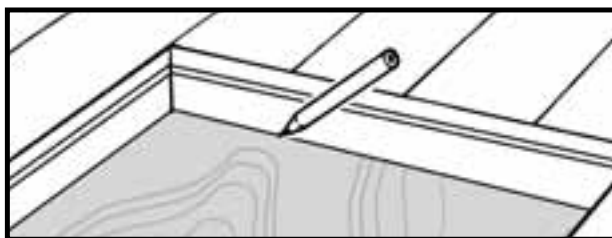
OUTILS NÉCESSAIRES

ESCABEAU
PERCEUSE
FORET DE 1/2"
PAPIER DE VERRE
GROS TOURNEVIS PLAT
TOURNEVIS PHILLIPS (petit et moyen)
CLÉ À MOLETTE/PINCES
MÈTRE À RUBAN/RÈGLE
CRAYON

PIÈCES NÉCESSAIRES

A1. (1) VERROU
A2. (1) BAGUE D'ARRÊT DE COURSE
A3. (1) LEVIER DE VERROU
A4. (1) ÉCROU M12
A7. (1) VIS DE 12 mm

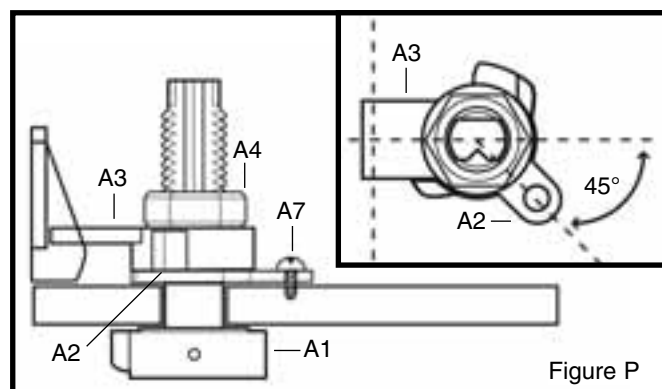
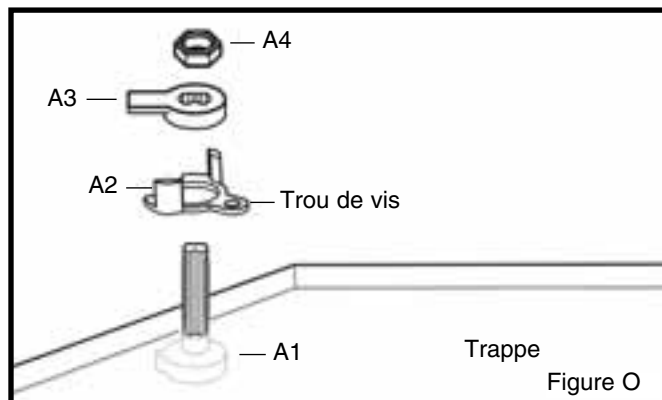
1. À partir de l'intérieur du grenier, avec la trappe complètement fermée, marquez le bord de raidisseur sur la trappe avec un crayon. Mesurez sur cette face et transférez une ligne équivalente sur la face opposée de la trappe.
2. Trouvez le point médian du bord de trappe à l'opposé du côté de charnière. Cela va vous donner la ligne médiane (Voir la Figure N). Marquez-la avec un crayon.
3. Mesurez exactement 1" (2.54 cm) depuis le marquage qui a été transféré, et marquez l'emplacement au crayon.
4. Percez un trou de 1/2" au centre et poncez tous les bords rugueux.



(L'ÉTAPE 9 SE POURSUIT À LA PAGE SUIVANTE)

(ÉTAPE 9, SUITE DE LA PAGE PRÉCÉDENTE)

5. Passez le verrou (A1) au travers du trou de trappe depuis la face du dessous, de façon à ce que le pointeur de position soit dirigé vers le bord de la trappe (Voir la Figure O).
6. Placez la bague d'arrêt de course (A2) par-dessus le verrou (A1) de façon que le trou de vis soit à 45° de la ligne médiane de la trappe (Voir les Figures O et P).
7. Placez le loquet de verrou (A3) sur le verrou (A1), et mettez-le dans la rainure de verrou afin qu'il soit dirigé vers la trappe près du bord, et complètement situé dans la bague d'arrêt de course (A2) (Voir les Figures O et P).
8. Fixez la bague d'arrêt de course (A2) en utilisant une vis de 12 mm (A7).
9. Fixez l'ensemble de loquet avec un écrou M12 (A4) en vous assurant que l'écrou est suffisamment serré pour que le loquet tourne librement mais sans aucune mollesse (Voir la Figure P).



Étape 10

Fixation de l'étrier de position

OUTILS NÉCESSAIRES

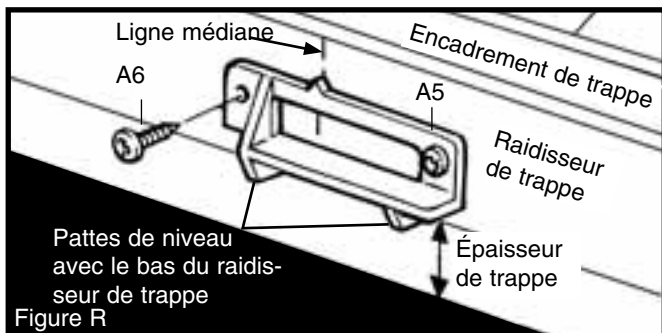
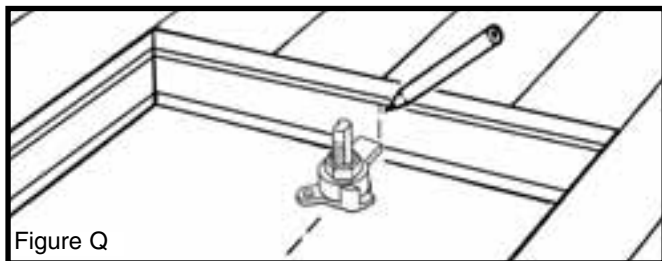
ESCABEAU
POINÇON
GROS TOURNEVIS PLAT
TOURNEVIS PHILLIPS (petit et moyen)
MÈTRE À RUBAN/RÈGLE
CRAYON

PIÈCES NÉCESSAIRES

- A5. (1) ÉTRIER DE POSITION
A6. (2) VIS À BOIS DE 3/4"
(1) ÉTIQUETTE "AVERTISSEMENT" N° DE PIÈCE 103552-01
(1) ÉTIQUETTE "MODE D'EMPLOI" N° DE PIÈCE 103553-01

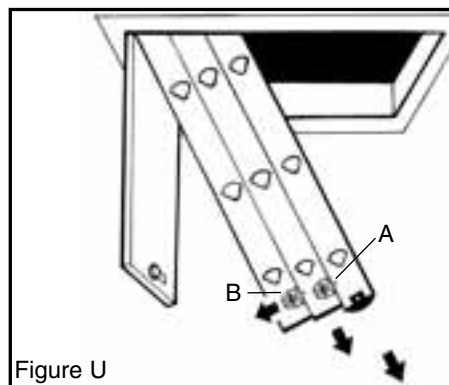
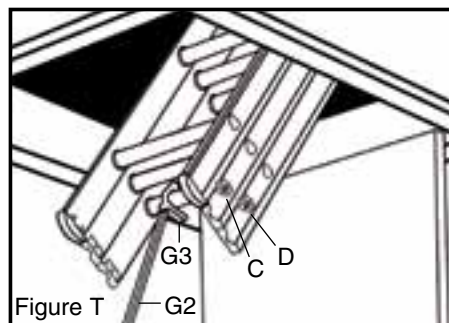
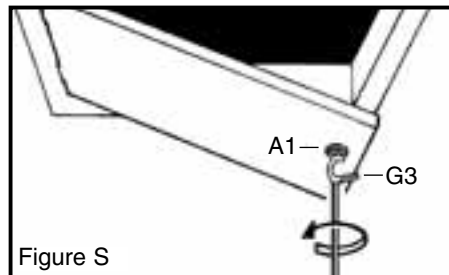
Quand il est tourné en position correcte, le loquet de verrou s'engagera dans l'étrier de position pour maintenir la trappe fermée. Fixez comme ceci :

1. Marquez une ligne verticale sur l'intérieur du raidisseur de trappe correspondant à la ligne centrale du loquet de verrou (Voir la Figure Q).
2. Positionnez l'étrier de position du verrou (A5) contre le bord inférieur du raidisseur en bois de trappe (Voir la Figure R).
3. Faites correspondre le marquage incrusté de l'étrier avec la ligne médiane verticale.
4. Faites des trous de guidage avec le poinçon et fixez en utilisant 2 vis à bois fournies (A6).
5. Apposez les étiquettes de trappe, N° de pièce 103552-01 et 103553-01, sur la face supérieure de la trappe, à l'intérieur du grenier.



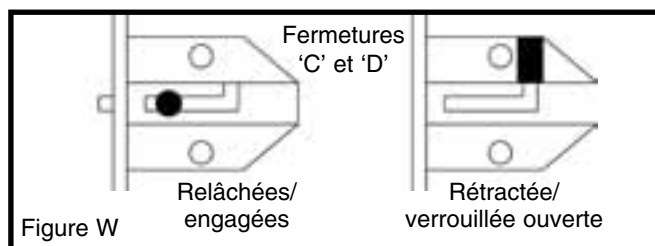
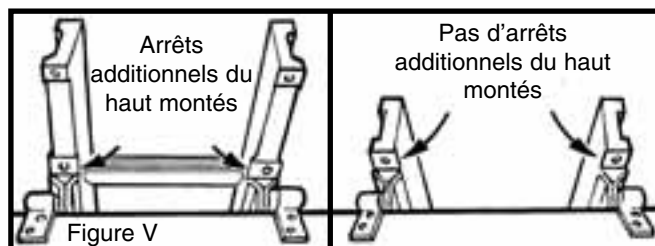
Utilisation de l'échelle

1. Localisez le crochet en plastique d'arrimage (G3) dans une extrémité de la perche d'aide (G2), et poussez fermement pour assurer que le crochet en plastique d'arrimage (G3) est complètement inséré dans la perche. Fixez le crochet (G3) avec une vis auto-taraudeuse. Poussez le bouche d'extrémité en plastique dans le bout opposé de la perche d'aide (G2).
2. Pour ouvrir la trappe, mettez le crochet (G3) dans la fente du verrou (A1) et tournez le verrou en sens antihoraire jusqu'à ce qu'il arrive à l'arrêt de course, puis abaissez la trappe (Voir la Figure S).
3. Mettez le crochet d'arrimage (G3) par-dessus et au milieu du barreau inférieur de la section **ARRIÈRE** d'échelle, et tirez régulièrement vers l'extérieur et le bas jusqu'à ce que les deux arrêts du haut atteignent et touchent les guides de charnière (Voir la Figure T).
4. Rétractez les deux loquets de côté droit 'C' et 'D' (bleus) et faites tourner leurs leviers vers le haut en position de verrouillage sur ouverture (Voir les Figures T et W).
5. Pour déployer l'échelle, rétractez le loquet de côté gauche 'A' (noir) tout en soutenant la structure avant de l'échelle. Abaissez lentement la structure jusqu'à ce que le loquet 'A' (noir) s'engage de nouveau (Figure U).
6. Puis rétractez le loquet 'B' (noir) et abaissez la structure centrale jusqu'à ce que ce loquet 'B' (noir) soit engagé dans la position que vous voulez. Étendez l'échelle jusqu'à ce que ses pieds reposent fermement sur le plancher (Voir la Figure U).
7. Quand l'échelle a été complètement ouverte, faites pivoter les deux leviers de loquets du côté droit vers le bas pour déverrouiller et libérer ces deux loquets 'C' et 'D' (bleus), et assurez-vous qu'ils sont complètement engagés. **N'utilisez PAS** l'échelle si n'importe lequel de ses loquets ('A', 'B', 'C' ou 'D') était désengagé. Lisez les étiquettes de sécurité sur le produit.
8. Assurez-vous que l'échelle est descendue de façon à ce que les arrêts du haut (ou les arrêts du haut additionnels s'il y en a d'installés) reposent fermement sur les guides de charnière. Cela supporte la section supérieure et l'empêche de glisser vers le bas quand vous montez.
9. Contrôlez l'angle de l'échelle par rapport au contenu de l'étiquette de sécurité ou référez-vous aux besoins échelle ouverte en revenant à la page 2.



Arrimage de l'échelle

10. Rétractez les deux loquets de côté droit 'C' et 'D' (bleus) et faites tourner leurs leviers vers le haut en position de verrouillage sur ouverture (Voir la Figure W).
11. Pour arrimer l'échelle, rétractez le loquet 'A' (noir), glissez la structure avant complètement vers le haut jusqu'à ce que le loquet s'engage à nouveau.
12. Répétez l'étape 11 pour le loquet 'B' (noir) et la structure du milieu de l'échelle.
13. Inversez l'étape 10 et assurez-vous que les deux loquets du côté droit 'C' et 'D' (bleus) sont complètement engagés.
14. Engagez le crochet en plastique d'arrimage (E3) par-dessus et au milieu du barreau inférieur de la section **ARRIÈRE** d'échelle. Tout en maintenant la perche d'aide en position verticale, poussez l'échelle vers le haut verticalement.
15. Continuez à pousser lentement l'échelle vers le haut et complètement dans le trou de grenier.
16. Utilisez la perche d'aide pour lever la trappe et tournez le verrou en sens horaire pour la fermer.



AVERTISSEMENT

N'essayez PAS de monter à votre échelle de grenier avant d'avoir vérifié qu'elle est descendue jusqu'aux arrêts. Lisez complètement toutes les étiquettes de sécurité et assurez-vous qu'elle est positionnée avec le bon angle. Assurez-vous que les fermetures de verrouillage sont complètement engagées.

Création d'une ouverture brute

Section 1.1

Questions importantes

Est-ce que votre structure de plafond et de solives est appropriée pour cette installation?

L'échelle de grenier peut être installée dans des structures avec des charpentes de toiture en bois (Voir la Figure 1). S'il y a un plafond, vous devez avoir un trou d'accès dans le plafond qui vous permette d'entrer dans l'espace du dessus pour une inspection avant l'installation.

Les structures de support de toit qui ont des renforts connectés aux solives de plafond ou qui utilisent des fermes (Voir la Figure 2) ne peuvent pas être coupées sans détruire la capacité de supporter la charge de cette section du toit. Ne coupez pas des solives qui font partie d'une charpente renforcée conventionnelle ou de ferme sans d'abord consulter un spécialiste de structures (voyez dans les Pages Jaunes à "Architectes" ou "Ingénieurs en structures").

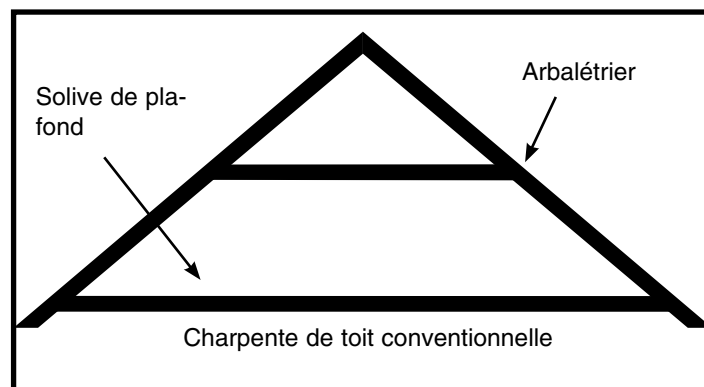


Figure 1

Cette échelle de grenier ne doit pas être installée dans un grenier d'un de ces types :

- Composants de systèmes de chauffage/refroidissement intégrés dans le plafond
- Solives constituées de matériau autre que du bois
- Plâtre renforcé par du métal
- Plafonds suspendus

Si votre plafond comporte un de ces éléments, n'essayez pas d'installer l'échelle de grenier. Contactez un professionnel pour de l'assistance avec vos besoins spécifiques (voyez les Pages Jaunes à "entreprises de chauffage et refroidissement, entrepreneurs en construction, charpentiers, constructeurs de maisons particulières, sociétés d'amélioration de l'habitat, etc.").

Est-ce que ces instructions répondent à vos besoins?

Ces instructions décrivent comment installer l'échelle de grenier parallèlement ou perpendiculairement aux solives de plafond. Contactez un professionnel si vous voulez que l'échelle de grenier soit installée dans une autre direction par rapport aux solives.

Est-ce que votre structure de plafond et de solives est appropriée pour cette installation?

AVERTISSEMENT : NE COUPEZ PAS CES TYPES DE STRUCTURES SANS CONSULTER UN ARCHITECTE OU UN INGÉNIEUR SPÉCIALISÉ EN STRUCTURES.

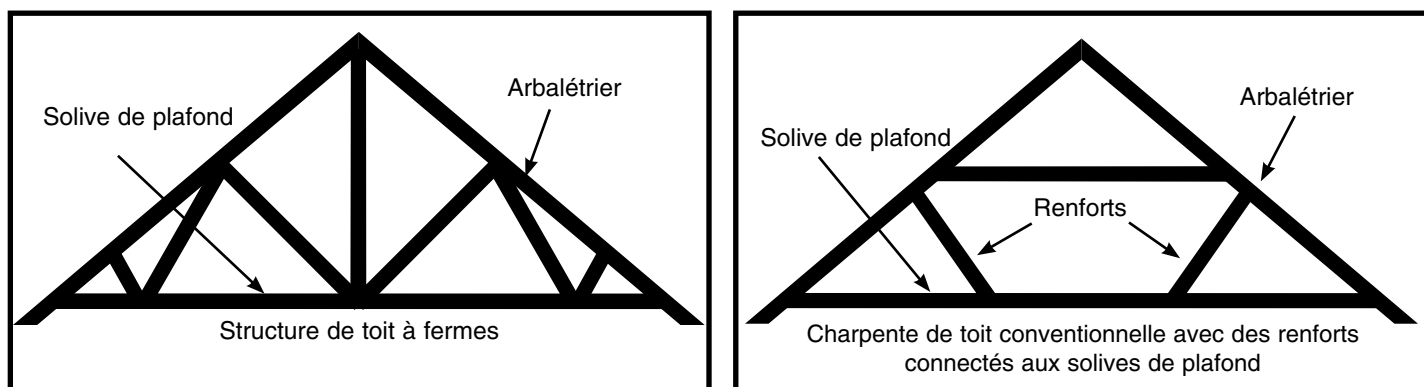


Figure 2

Outils et matériaux nécessaires

Matériels :

- Plusieurs pièces de bois de sciage de la taille des solives (la quantité dépend des spécificités de l'installation).
- Clous à tête fraisée 16d ou vis de la solidité équivalente (quantité 24 - 60 selon les spécificités de l'installation).
- Des clous à tête fraisée 20d ou des vis 20d de la solidité équivalente sont nécessaires pour une installation où des solives sont coupées.

Escabeau :

- Il vous faudra un escabeau suffisamment grand pour pouvoir entrer dans l'espace au-dessus sans avoir une marche à monter au-dessus de la hauteur de travail normale de l'escabeau. La hauteur de travail normale sur l'escabeau est à deux marches de son sommet.
- Votre escabeau doit aussi avoir une spécification de charge utile supérieure à la somme de votre poids et de celui de l'échelle de grenier, et tous matériaux additionnels utilisés pour l'installation.

ATTENTION : Faites attention quand vous utilisez un escabeau pour entrer ou sortir de l'espace au-dessus.

Outils pour créer une ouverture brute :

- Lampe-torche ou baladeuse
- Marteau à panne fendue
- Crayon
- Scie à main/électrique
- Mètre à ruban
- Équerre de charpentier
- Outils pour découper un trou dans le plafond existant

Équipement de sécurité :

- Gants
- Lunettes de sécurité enveloppantes
- Masque anti-poussière

Recherche de l'emplacement convenable

Avant de commencer : Un plafond correct et une structure avec des solives, les outils et matériaux nécessaires, et un endroit plat et de niveau dans le grenier.

Objectif : Trouver un emplacement ne présentant pas de risques ni d'obstructions, qui laissera de la place pour l'installation de l'échelle de grenier et son utilisation.

Étape 1. Trouvez un emplacement potentiel pour l'installation. Vérifiez la taille de l'ouverture brute montrée sur la boîte ou dans la liste de contrôle avant l'installation.

Si vous installez une échelle de grenier dans un garage, n'oubliez pas de prendre en considération l'endroit où les voitures sont garées.

Étape 2. S'il n'y a pas de plafond et que l'échelle de grenier pourra s'insérer entre des solives sans qu'il n'y ait à en couper, passez directement à la Section 1.5, ENCADREMENT DE L'OUVERTURE BRUTE".

S'il n'y a pas de plafond mais qu'il faille couper une solive ou plus, allez à la Section 1.4, "COUPE DES SOLIVES DE PLAFOND"

S'il y a bien un plafond à cet emplacement, vous aurez à inspecter la zone au-dessus de l'emplacement comme décrit aux Étapes 3 et 4.

Étape 3. Allez dans l'espace du dessus et explorez la zone au-dessus de votre choix d'emplacement :

Cette zone peut être repérée de ces façons :

- A) En écoutant des cognements portés par en dessous.
- B) En mesurant les distances depuis des murs ou d'autres éléments communs dans l'espace du dessus et la pièce en dessous.

AVERTISSEMENT : Ne plantez pas de clous métalliques ou d'autres objets conducteurs dans le plafond sauf si vous êtes sûr qu'il n'y aura pas de contact avec des fils électriques. Un contact avec des fils électriques peut être mortel.

Étape 4. À cet emplacement dans l'espace au-dessus :

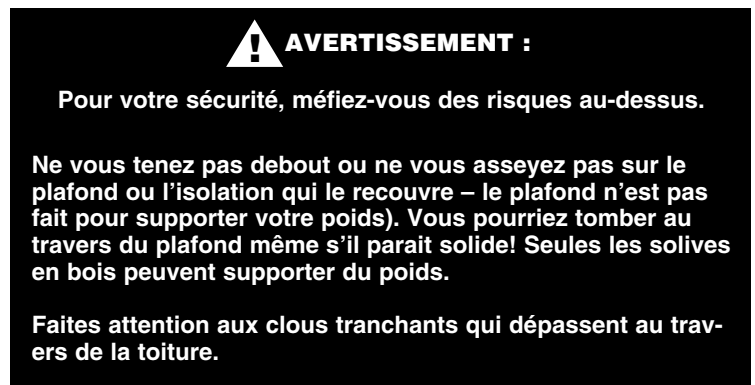
- A) Contrôlez qu'il y a assez de place pour que vous puissiez bouger librement autour pendant l'installation.
- B) Cherchez dans l'espace du dessus de la place pour de l'entreposage à côté de l'emplacement choisi. S'il y a besoin de marcher ou de ramper dans l'espace du dessus, assurez-vous qu'il y aura assez de place pour le faire.
- C) Cherchez au-dessus de l'emplacement choisi l'éventualité de dangers ou d'obstruction, comme :
 - Câbles électriques
 - Tuyaux
 - Conduites de chauffage ou refroidissement
 - Chaudière
 - Chauffe-eau ou autres appareils

Remarque : Pour vérifier l'absence de risques, vous devrez déplacer l'isolation de votre emplacement choisi.

Portez un masque anti-poussière, des lunettes de sécurité enveloppantes et des gants, et gardez votre corps couvert pour éviter des petites coupures par la fibre de verre.

Poussez doucement de côté l'isolation pour éviter de soulever la poussière qui pourrait être dangereuse pour vos yeux et vos poumons.

Étape 5. Si des risques ou obstructions quelconques sont présents à votre emplacement choisi, cherchez un autre endroit ou faites déplacer ce qui présente risque ou obstruction par des professionnels (consultez les Pages Jaunes à "électriciens, chauffagistes, plombiers").



Découpe d'un trou dans le plafond

- Avant de commencer :** Vous devez avoir trouvé un emplacement qui :
- A) Ne comporte pas de risques ou d'obstructions dans l'espace du dessus.
 - B) Ne comporte pas de risques dans le plafond lui-même.
 - C) Laisse assez de place pour l'installation.
 - D) Laisse assez de place pour utiliser l'échelle de grenier.

Objectif : Découper un trou de la bonne taille à l'endroit voulu.

Étape 1. Préparez la pièce en déplaçant le mobilier, en recouvrant le plancher avec une toile de protection, et en écartant à une bonne distance de sécurité les enfants et les animaux domestiques.

Étape 2. Mettez des lunettes de sécurité enveloppantes et un masque anti-poussière. Cela empêchera que des particules de plafond et de la poussière ne vous tombent dans les yeux, la bouche ou le nez, quand vous ferez un avant-trou et découperez le plafond.

Étape 3. Avec un marteau et un ciseau, creusez un trou de démarrage près du centre de l'emplacement choisi (Voir la Figure 4).

Étape 4. Élargissez l'ouverture avec une scie jusqu'à ce que vous puissiez voir une solive (Voir la Figure 5).

Étape 5. Tracez un rectangle de la taille de l'ouverture brute sur le plafond, avec un bord parallèle à une solive (Voir la Figure 6). Vous devez le faire en sciant jusqu'à ce que vous arriviez à une solive, et en l'utilisant ensuite comme référence de guidage. (La taille de cette ouverture brute doit faire au moins 0.46m x 0.61m ou 18 x 24".)

Remarque : En situant au moins un bord de l'ouverture contre une solive de plafond cela permet que cette solive soit utilisée comme côté pour l'encadrement que vous construirez. Cela simplifiera l'encadrement de l'ouverture brute.

Étape 6. Coupez le reste du plafond dans les limites du contour tracé, en suivant ces instructions :

- A) Ne coupez aucune solive à ce stade. Ne coupez que dans le remplissage de plafond.
- B) Dégagez la partie de plafond par petits morceaux, car son matériau peut être très lourd.

Étape 7. S'il n'y a pas de solives traversant le trou dans le plafond, allez à la Section 1.5 "ENCADREMENT DE L'OUVERTURE BRUTE".
S'il y a de solives traversant le trou, allez à la Section 1.4, "COUPE DE SOLIVES DE PLAFOND".

! AVERTISSEMENT :

Ne sciez pas, ne découpez pas et ne martelez pas le plafond avant d'être sûr qu'il n'y a pas de risques ou d'obstruction dans le plafond ou le grenier au-dessus. Un contact avec des fils électriques peut être mortel.

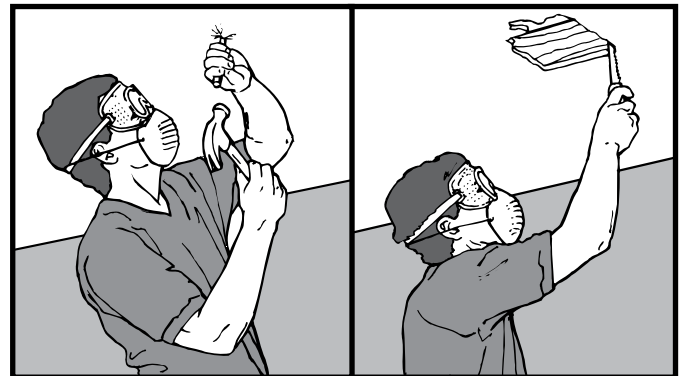


Figure 4

Figure 5

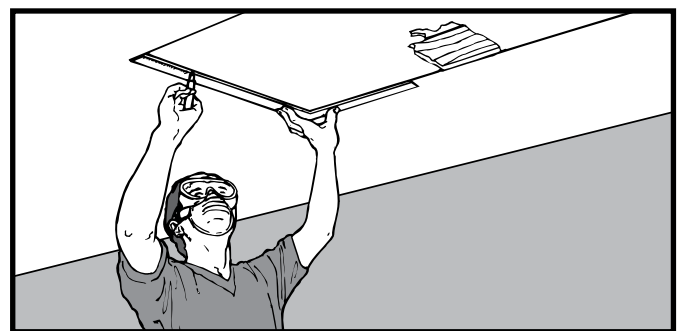


Figure 6

Découpe d'un trou dans le plafond

Avant de commencer : Des solives déjà exposées ou un trou de la taille correcte à l'emplacement voulu du plafond.

Objectif : Couper toutes les solives qui sont au milieu de l'emplacement choisi. **Avant de couper les solives, vous devez les relier à d'autres solives dans le grenier au-dessus pour empêcher le plafond de fléchir ou de s'écrouler complètement.**

Étape 1. Si la pièce comporte un plafond et que vous devez y découper le trou voulu, allez à l'Étape 2.

Si la pièce n'a pas de plafond, vous devez marquer les solives suivant le paragraphe (A) ou (B) qui suit.

(A) Si l'emplacement choisi est parallèle aux solives, marquez la longueur de l'ouverture brute sur le dessus des solives (Voir la Figure 7).

Ne coupez pas de solive à cette marque.

(A) Si l'emplacement choisi est perpendiculaire aux solives, marquez la largeur de l'ouverture brute sur le dessus des solives (Voir la Figure 8).

Ne coupez pas de solive à cette marque.

Étape 2. Coupez (2) planches de la taille des solives assez longues pour relier (2) solives de chaque côté de votre emplacement choisi (Voir la Figure 9). Ces planches vont soutenir les solives qui vont être coupées et aider à empêcher le plafond de s'affaisser ou de s'écrouler complètement pendant que vous travaillez dans l'espace du dessus.

Étape 3. Placez ces planches approximativement à 61 cm du bord de votre emplacement choisi, et clouez-les (Voir la Figure 9).

Remarque : Cette distance de 61 cm est nécessaire pour vous laisser la place pour clouer dans l'encadrement que vous allez bâtir à la section suivante.

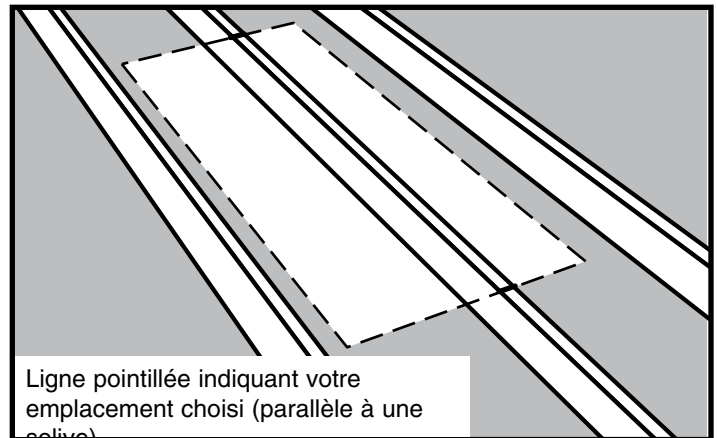


Figure 7

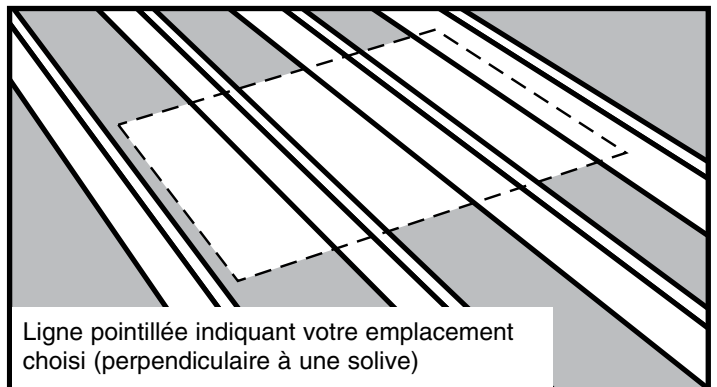


Figure 8

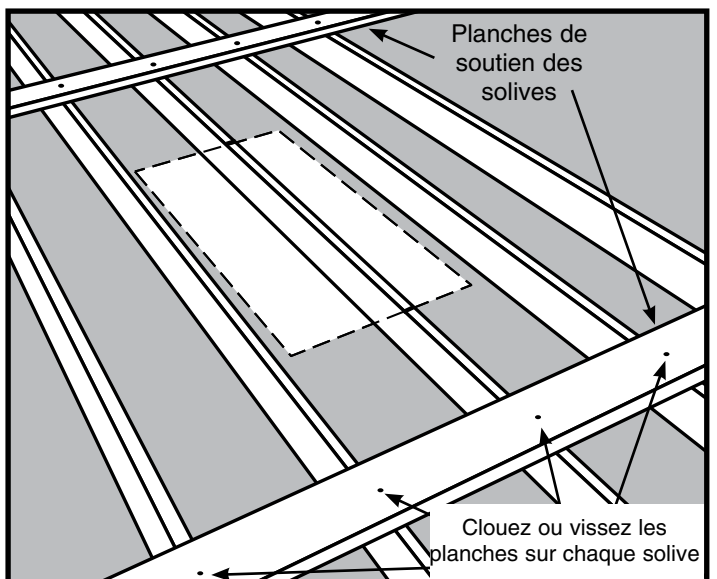


Figure 9

Coupe des solives de plafond

Étape 4. Déterminez l'endroit où couper la ou les solive(s). La Figure 10 montre où marquer la/les solive(s) traversant votre emplacement choisi. Notez qu'il faut les marquer de nouveau depuis le bord de votre emplacement, à une distance de deux fois l'épaisseur d'une solive (en général 3 pouces ou 7.6 cm). Cela laisse de la place pour deux chevêtres de la taille d'une solive placés contre chaque extrémité de solive coupée (Voir la Figure 16 en page 18).

Remarque : Dans certaines maisons, en particulier les anciennes, les solives peuvent être légèrement plus épaisses que le bois débite en vente normalement. Si vos solives ont une épaisseur différente des pièces de bois que vous utiliserez comme chevêtres, vous devrez marquer de nouveau les solives depuis le bord de votre emplacement à deux fois l'épaisseur de chevêtre (au lieu de celle de solive).

Étape 5. Sciez en travers de la/des solives(s), en prenant soin de ne pas couper au travers du plafond et en vous assurant que les surfaces des extrémités coupées de solive(s) seront bien plates et verticales.

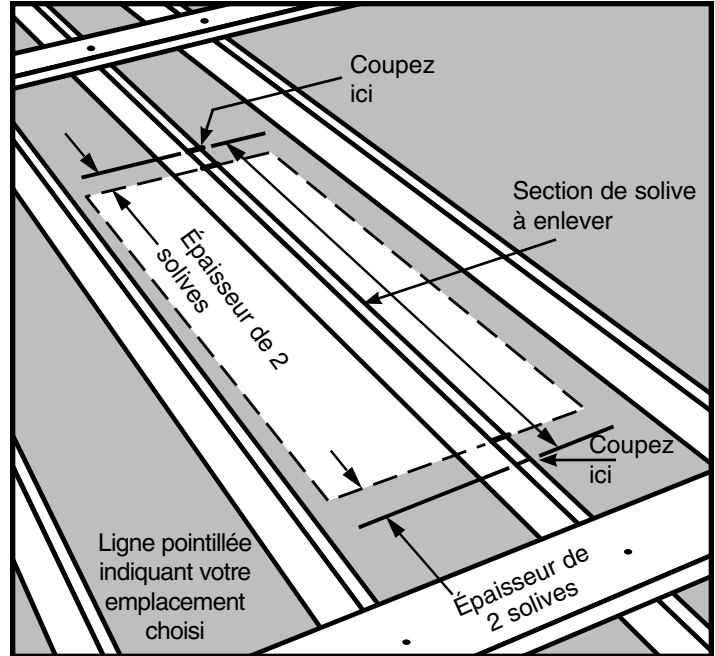


Figure 10

Encadrement de l'ouverture brute

Avant de commencer : Vous devez avoir un écartement entre les solives d'au moins 45,7 cm. Toute solive coupée doit être reliée à des solives non coupées.

Objectif : Créer un encadrement sur quatre côtés de la taille de l'ouverture brute en utilisant des pièces de bois de la taille d'une solive. Cet encadrement sera fait de chevêtres d'épaisseur simple ou double et de tirants selon l'installation particulière. L'encadrement est nécessaire pour supporter l'échelle de grenier et renforcer la structure de toiture et de plafond.



AVERTISSEMENT :

POUR VOTRE SÉCURITÉ, MÉFIEZ-VOUS DES RISQUES AU-DESSUS.

Ne vous tenez pas debout ou ne vous asseyez pas sur le plafond ou l'isolation qui le recouvre – le plafond n'est pas fait pour supporter votre poids). Vous pourriez tomber au travers du plafond même s'il paraît solide! Seules les solives en bois peuvent supporter du poids. Pour éviter de tomber au travers du plafond, vous pouvez désirer une plate-forme de travail en disposant des planches en travers des solives. Faites attention aux clous tranchants qui dépassent au travers de la toiture.

Encadrement de l'ouverture brute

Installation des chevêtres

S'il n'y a pas eu de solives coupées, allez à "Chevêtres simples" ci-dessous.

S'il y a eu de solives coupées, allez à "Chevêtres doubles" en page 18.

Chevêtres simples

- Étape 1. Mesurez la longueur de chevêtre "H" entre les solives (Voir la Figure 11).
- Étape 2. Coupez deux chevêtres à cette longueur. Utilisez des pièces de bois de la taille d'une solive.
- Étape 3. Placez un de ces chevêtres à une extrémité de votre emplacement choisi (Voir la Figure 12). Le chevêtre doit s'adapter exactement entre les solives. Placez-le au marteau si nécessaire ; s'il s'avère trop long de 1,6 mm, limez-le. S'il est trop court de plus de 1,6 mm, coupez un autre morceau.
- Étape 4. Mettez d'équerre le chevêtre par rapport à une solive et plantez (3) clous 16d au travers de la solive pour pénétrer le chevêtre. Vérifiez la perpendicularité et plantez (3) clous 16d au travers de l'autre solive pour pénétrer le chevêtre (Voir la Figure 12). Il est très important que le morceau de chevêtre soit d'aplomb verticalement comme d'équerre avec les côtés des solives.
- Étape 5. Positionnez le deuxième chevêtre à 137,2 cm du premier et répétez l'étape 4 (Voir la Figure 13).
- Étape 6. L'encadrement pour l'ouverture brute nécessite quatre côtés. Les chevêtres posés constituent deux de ces côtés. Si vos solives de plafond sont espacées de façon à constituer les deux autres côtés de l'ouverture brute, contrôlez que tout est d'équerre en mesurant les diagonales. Ces mesures doivent être égales à 3 mm près pour que la perpendicularité soit acceptable (Voir la Figure 13).

Si vos solives de plafond ne peuvent pas constituer les deux derniers côtés de l'ouverture brute, vous aurez à installer une ou deux morceaux de bois comme chevêtres additionnels pour encadrer un ou deux côtés restants de l'ouverture brute, allez donc sur "Installation de tirants" en page 19.

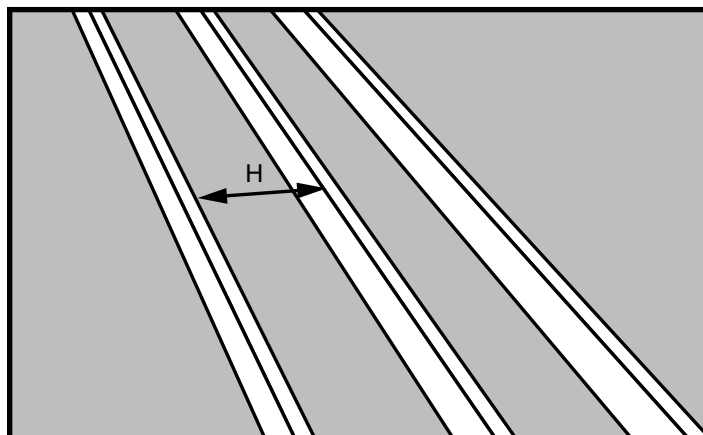
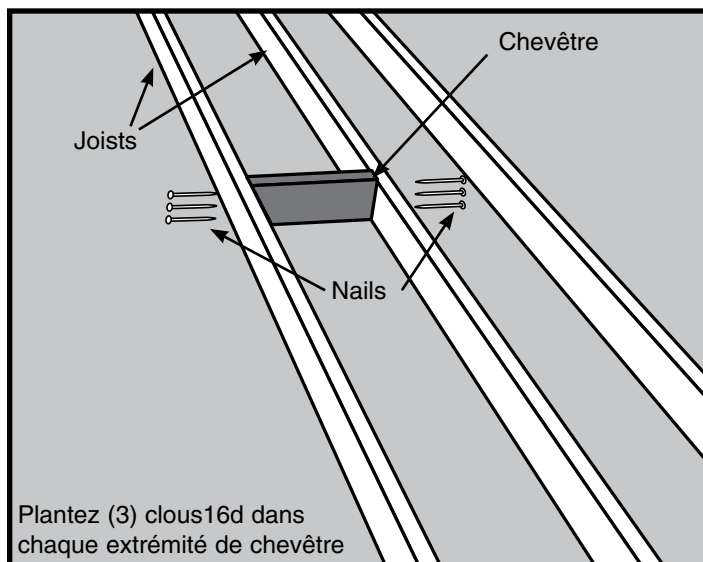


Figure 11



Plantez (3) clous 16d dans chaque extrémité de chevêtre

Figure 12

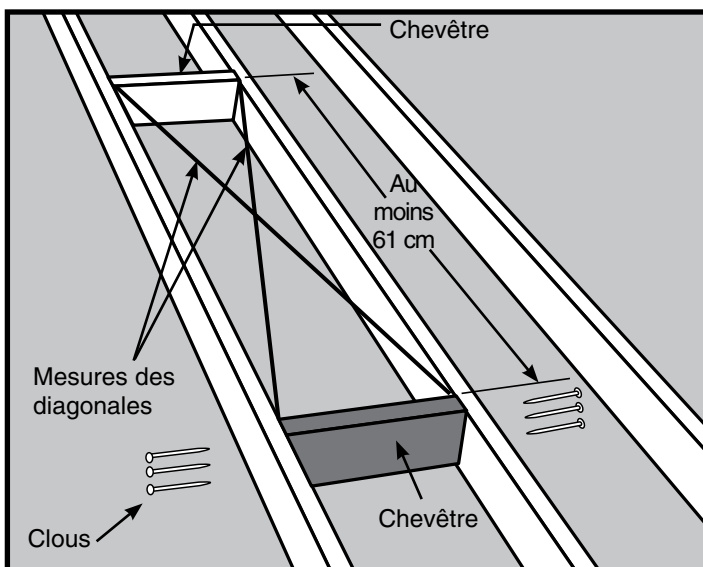


Figure 13 – Façon de vérifier la perpendicularité

Encadrement de l'ouverture brute

Chevêtres doubles

- Étape 1. Mesurez la longueur de chevêtre "H" entre les solives non coupées (Voir la Figure 14).
- Étape 3. Coupez 4 chevêtres à cette longueur. Utilisez des pièces de bois de la taille d'une solive.
- Étape 4. Placez un de ces chevêtres contre une extrémité de solive coupée (Voir la Figure 15). Il doit s'adapter juste entre les solives non coupées.
- Placez-le au marteau si nécessaire ; s'il s'avère trop long de 1,6 mm, limez-le. S'il est trop court de plus de 1,6 mm, coupez un autre morceau.
- Étape 4. Mettez d'équerre le chevêtre contre la solive non coupée et clouez-le sur l'extrémité de solive coupée avec (3) clous 16d (Voir la Figure 15).
- Étape 5. Vérifiez la perpendicularité de chevêtre et plantez (3) clous 16d au travers de chaque solive dans chacune des extrémités de chevêtre (Voir la Figure 15).
- Étape 6. Placez un deuxième chevêtre contre le premier et clouez-le avec lui en utilisant (3) clous 16d entre chaque solive (Voir la Figure 16).
- Étape 7. Plantez (3) clous 16d au travers des solives dans chaque extrémité du deuxième chevêtre (Voir la Figure 16).
- Étape 8. Recommencez les étapes 3-7 pour placer des chevêtres sur le côté opposé de l'ouverture.
- Étape 9. Pour encadrer l'autre ou les autres côtés de l'ouverture brute, allez à "Installation de tirants" à la page suivante.

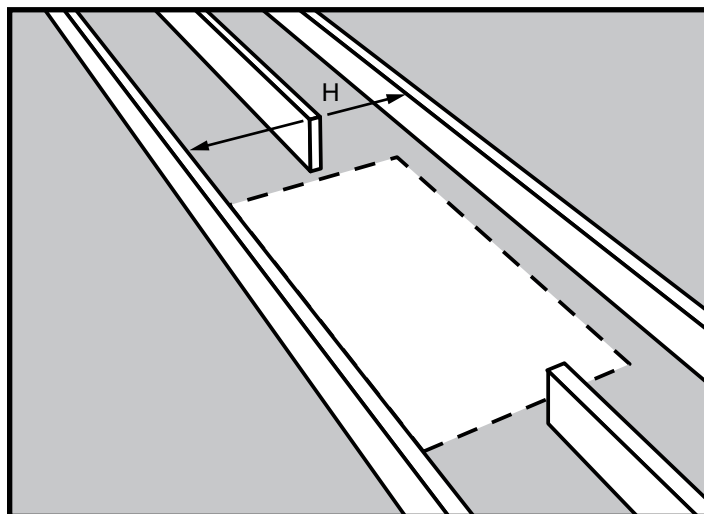


Figure 14

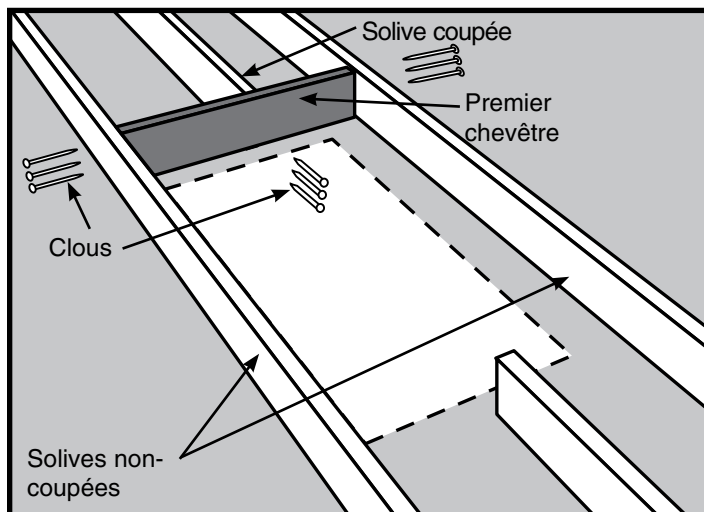


Figure 15

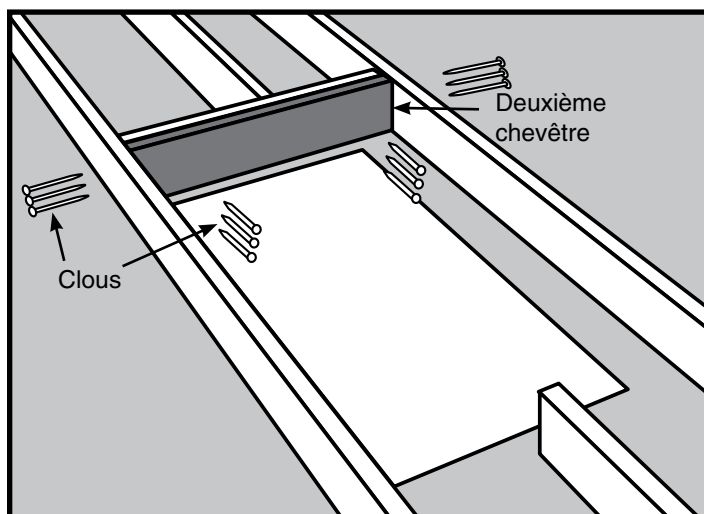


Figure 16

Encadrement de l'ouverture brute

Installation de tirants

Étape 1. Mesurez la longueur de tirant "S" entre les chevêtres (Voir la Figure 17).

Étape 2. Coupez un tirant à cette longueur. Utilisez des pièces de bois de la taille d'une solive.

Étape 3. Si la solive de plafond ne procure pas un côté de l'encadrement, coupez alors un deuxième tirant de la même longueur que le premier.

Notez qu'un seul tirant est nécessaire en Figure 17 parce que la solive de plafond constitue un côté de l'encadrement.

Étape 4. Positionnez le ou les tirants le long du ou des côtés non-encadrés de votre emplacement (Voir la Figure 18).

Vérifiez que les dimensions intérieures de l'encadrement restent à au moins à 45.7 x 61.0 cm.

Étape 5. Pour fixer le ou les tirants sur les chevêtres, utilisez des clous qui soient suffisamment longs pour traverser les deux chevêtres et entrer dans le tirant d'au moins 2,5 cm. Dans la plupart des cas un clou de 4" (20d) sera assez long. Mettez le ou les tirants perpendiculairement aux chevêtres et plantez (3) clous 16d au travers des chevêtres et dans les tirants.

Vérifiez la perpendicularité, puis clouez à l'autre extrémité. Vérifiez la perpendicularité des côtés de l'ouverture en mesurant ses diagonales. Ces mesures doivent être égales à 3 mm près pour que la perpendicularité soit acceptable (Voir la Figure 18).

Remarque : Un plancher en bois de 1.9 cm d'épaisseur profond d'au moins 68.6 cm sur la pleine largeur de votre ouverture est nécessaire pour la fixation du bras d'aide. Veuillez vous référer à l'étape 5 de la page 6 de ce manuel pour des instructions sur la fixation du bras d'aide.

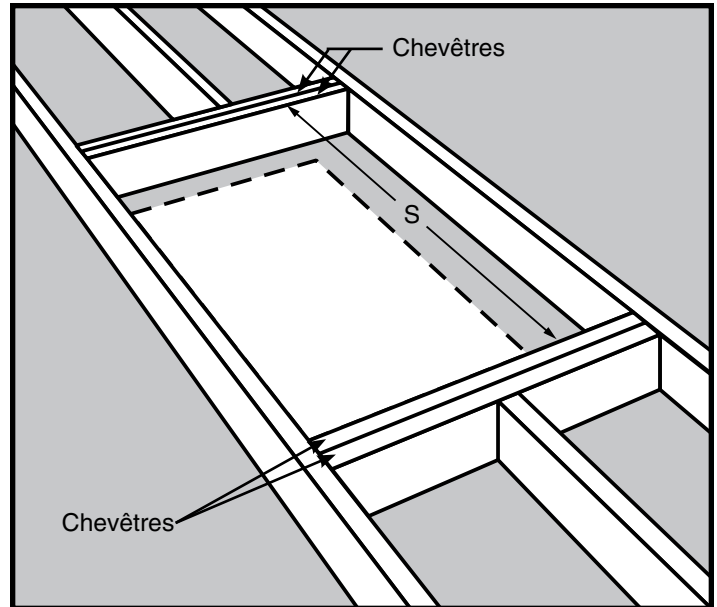


Figure 17

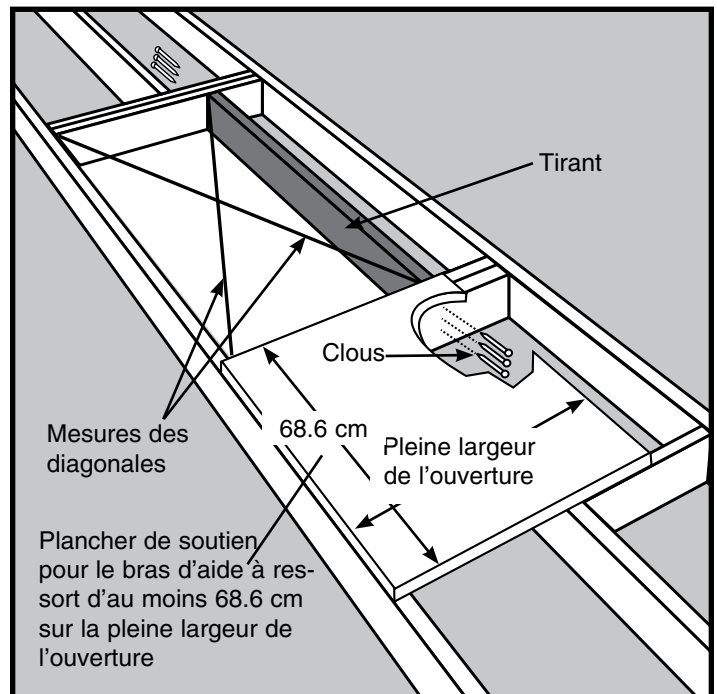


Figure 18